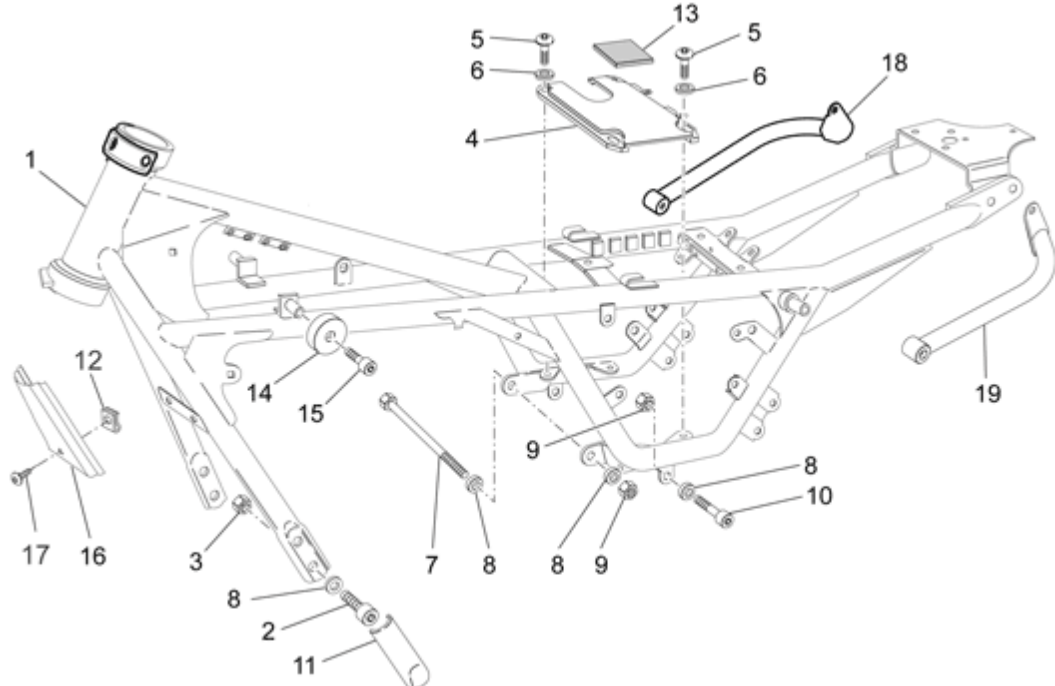

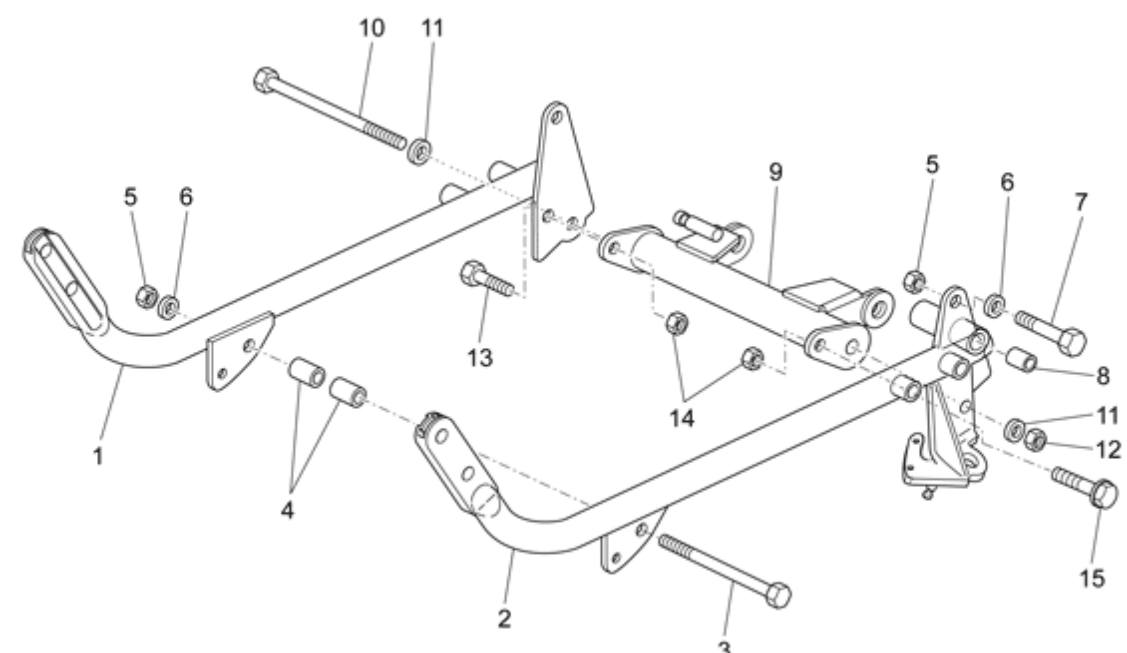
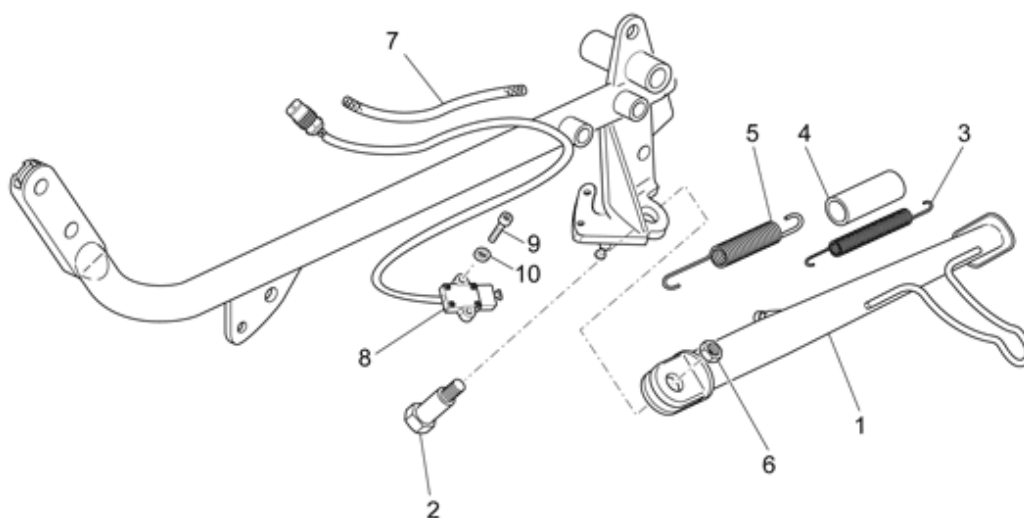

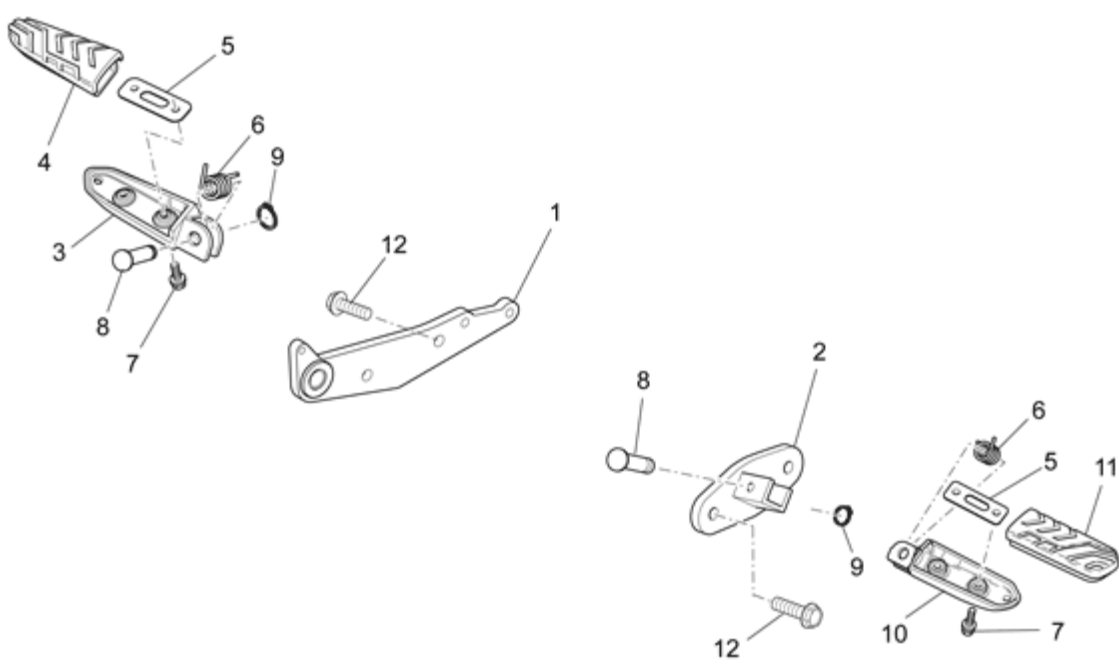
		V7 CAFÈ 750 750 2009	GU093	00	TAB N.	01		
		FRAME I						
								
Pos.	Description	Year	I_M_	Country	Version	Code	Q.ty	P.Cod.
1	Frame assy black	-	-	-	-	978750	1	BA009
2	Hex socket screw M10x30	-	-	-	-	GU98682530	4	-
3	Nut M10x1,5	-	-	-	-	GU92630510	4	-
4	Plate	-	-	-	-	GU32418260	1	CC069
5	Hex socket screw M8x16	-	-	-	-	GU98350416	4	-
6	Washer 8,4X15X1,5	-	-	-	-	GU95008208	4	-
7	Pin M10x205	-	-	-	-	GU98110199	1	BA329
8	Washer 10,2X18X2	-	-	-	-	GU95008210	11	-
9	Nut M10x1,5	-	-	-	-	GU92606210	2	-
10	Screw M10x55	-	-	-	-	GU98680555	2	-
11	Protection	-	-	-	-	GU32457810	2	-
12	Clip M5	-	-	-	-	AP8102375	1	-
13	Vibration-damping rubber	-	-	-	-	GU01103860	1	-
14	Rubber spacer	-	-	-	-	GU66103415	2	-
15	Hex socket screw M8X14	-	-	-	-	GU98682414	2	-
16	Protection	-	-	-	-	GU32575960	1	-
17	Screw w/ flange M5x12	-	-	-	-	AP8152302	1	-
18	RH handle	-	-	-	-	978951	1	BA34A
19	left handle	-	-	-	-	978952	1	BA34B

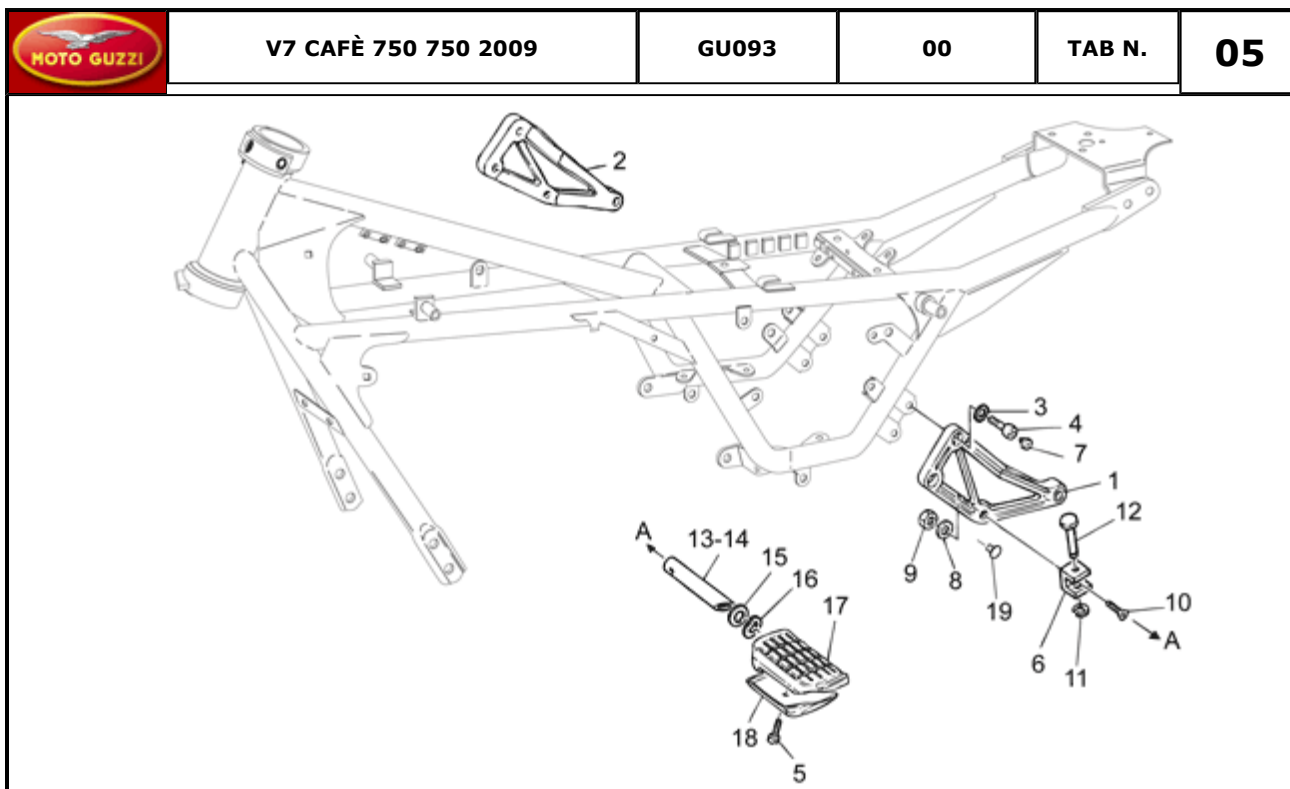
		V7 CAFÈ 750 750 2009		GU093	00	TAB N.	02		
		FRAME II							
									
Pos.	Description	Year	I_M	Country	Version	Code	Q.ty	P.Cod.	
1	RH arm polished black	-	-	-	-	978751	1	BA25A	
2	LH arm polished black	-	-	-	-	978752	1	BA25B	
3	Pin M10x250	-	-	-	-	GU53429500	1	BA309	
4	Bush	-	-	-	-	GU19017000	2	-	
5	Nut M10x1,5	-	-	-	-	GU92606210	3	-	
6	Washer 10,2X18X2	-	-	-	-	GU95008210	3	-	
7	Screw M10x65	-	-	-	-	GU98082565	2	-	
8	Bush 18 mm est.	-	-	-	-	GU28252060	2	-	
9	Cradle arms conn.crosspiece	-	-	-	-	GU32431310	1	BA279	
10	Pin M10x260	-	-	-	-	AP8121367	1	BA309	
11	Washer	-	-	-	-	AP8152220	2	-	
12	Low self-locking nut M10	-	-	-	-	AP8150436	1	-	
13	Screw w/ flange M8x25*	-	-	-	-	AP8152287	1	-	
14	Self-locking nut M8*	-	-	-	-	AP8152300	1	-	
15	Screw w/ flange M8x30*	-	-	-	-	AP8152288	1	-	

	V7 CAFÈ 750 750 2009	GU093	00	TAB N.	<b>03</b>
	LATERAL STAND				

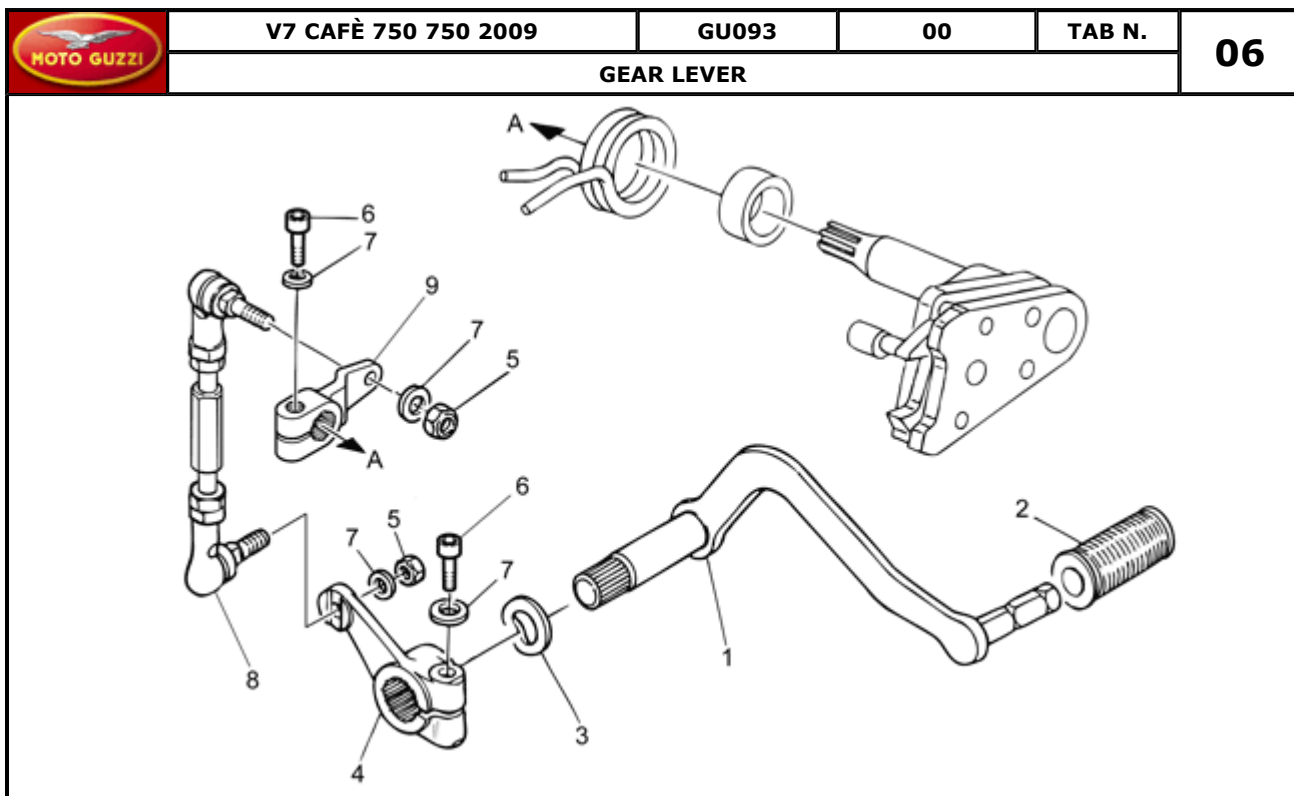


Pos.	Description	Year	I_M_	Country	Version	Code	Q.ty	P.Cod.
1	Side arm black	-	-	AUS-EU-J-UK	-	977088	1	BG049
2	Central stand fixing screw	-	-	AUS-EU-J-UK	-	AP8121375	1	BG019
3	Coil pull spring *	-	-	-	-	AP8121014	1	BG02J
4	Stand spring protection	-	-	-	-	AP8102524	1	-
5	Lateral stand spring	-	-	-	-	AP8221197	1	BG02K
6	Nut	-	-	AUS-EU-J-UK	-	GU92630310	1	-
7	Thermal sheath	-	-	-	-	GU00823923140	1	-
8	Lateral stand switch	-	-	-	-	639542	1	CD149
9	Hex socket screw M5x16	-	-	-	-	GU98612216	2	-
10	Washer 5,3x8,9x2,4	-	-	-	-	GU95020105	2	-

		V7 CAFÈ 750 750 2009		GU093	00	TAB N.	04		
		FRONT FOOTRESTS							
									
Pos.	Description	Year	I_M_	Country	Version	Code	Q.ty	P.Cod.	
1	RH foot rest support	-	-	-	-	883051	1	BA17A	
2	LH footrest support	-	-	-	-	883052	1	BA17B	
3	RH Foot rests	-	-	-	-	AP8145034	1	BA05A	
4	Support rubber part	-	-	-	-	GU32443210	1	BA24A	
5	Plate	-	-	-	-	GU32441210	2	-	
6	Footrest return spring	-	-	-	-	AP8221277	2	BA08*	
7	Screw w/ flange M6x12*	-	-	-	-	AP8152277	4	-	
8	Footrest pin	-	-	-	-	AP8134829	2	-	
9	Stop ring	-	-	-	-	AP8152409	2	-	
10	LH Foot rests	-	-	-	-	AP8145035	1	BA05B	
11	Support rubber part	-	-	-	-	GU32443211	1	BA24B	
12	Screw w/ flange M8x20	-	-	-	-	AP8152286	4	-	

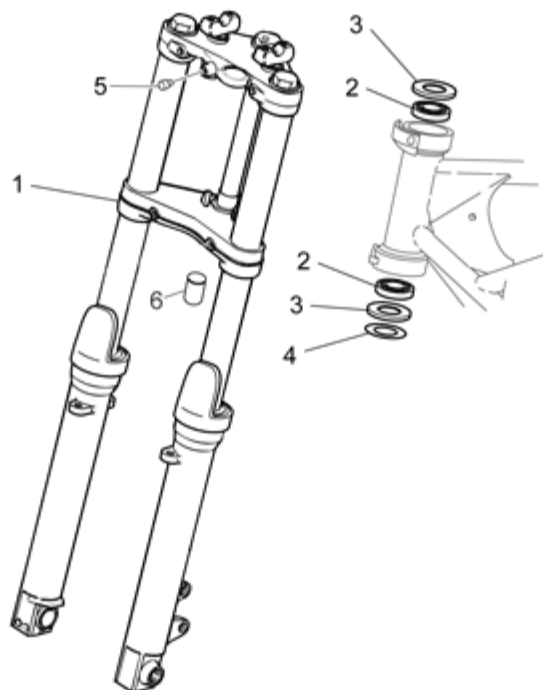


Pos.	Description	Year	I_M_	Country	Version	Code	Q.ty	P.Cod.
1	LH footrest support	-	-	-	-	GU32446060	1	BA16B
2	RH foot rest support	-	-	-	-	GU32443560	1	BA16A
3	Washer 8,4X13X0,8	-	-	-	-	GU14615901	4	-
4	Hex socket screw M8X20	-	-	-	-	GU98682420	4	-
5	Screw	-	-	-	OPT	GU98304012	2	-
6	Footrest plate	-	-	-	OPT	GU66441730	2	-
7	Plug	-	-	-	-	GU23943410	4	-
8	Washer	-	-	-	OPT	GU95008308	2	-
9	Nut M8	-	-	-	OPT	GU92640508	2	-
10	Screw	-	-	-	OPT	GU98257830	2	-
11	Stop ring	-	-	-	OPT	GU90280006	2	-
12	Pin	-	-	-	OPT	GU66440630	2	-
13	RH front foot rest pipe	-	-	-	OPT	GU66440730	1	BA15A
14	LH front foot rest pipe	-	-	-	OPT	GU66441830	1	BA15B
15	Spacer	-	-	-	OPT	GU66441630	2	-
16	Spring washer	-	-	-	OPT	GU51609800	2	-
17	Foot rest	-	-	-	OPT	GU66443230	2	-
18	Plate	-	-	-	OPT	GU31441283	2	-
19	Plug	-	-	-	-	118259	2	-


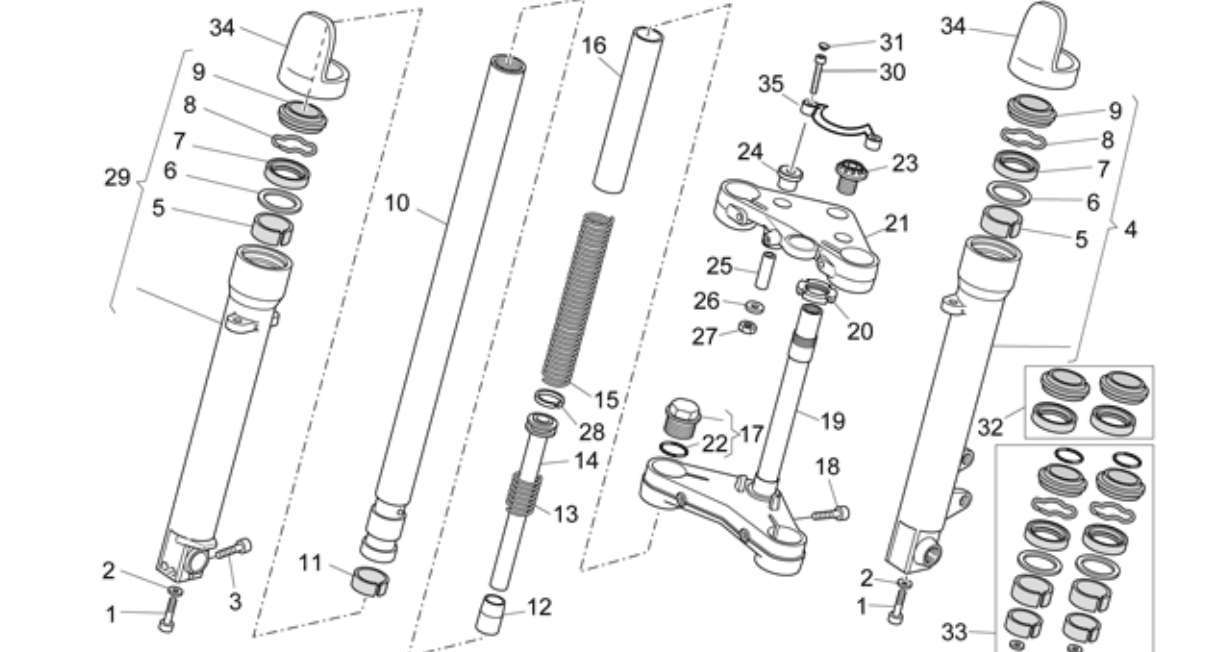


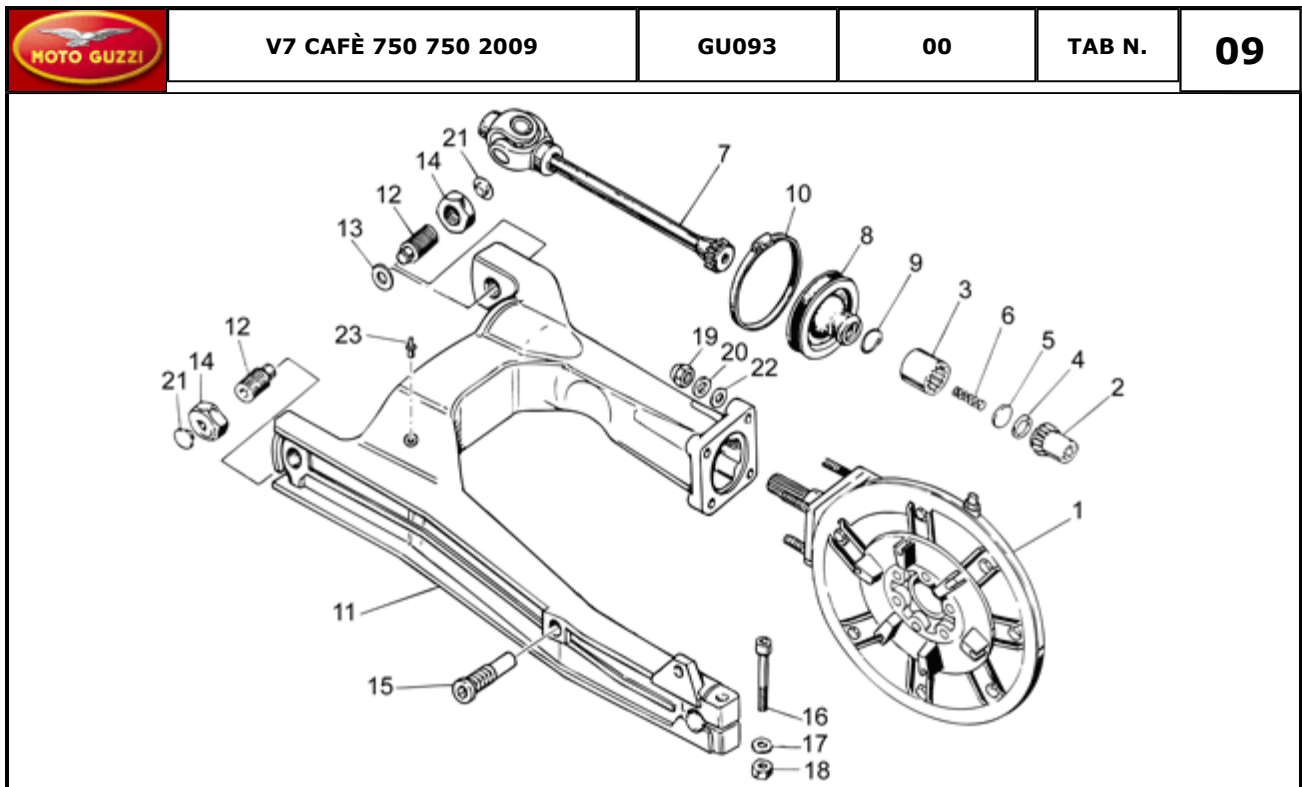
Pos.	Description	Year	I_M_	Country	Version	Code	Q.ty	P.Cod.
1	Gear lever	-	-	-	-	883039	1	BA109
2	Rubber spacer	-	-	-	-	GU14251001	1	BA149
3	Spring washer	-	-	-	-	GU95129260	2	-
4	Lever	-	-	-	-	GU32256910	1	BA119
5	Nut M6X1	-	-	-	-	GU92630707	2	-
6	Screw M6X22	-	-	-	-	GU98632322	2	-
7	Washer 6,4x12	-	-	-	-	GU03013800	3	-
8	Change gear tie rod compl.	-	-	-	-	GU32257810	1	BA129
9	Shift lever	-	-	-	-	GU20258221	1	BA139

	V7 CAFÈ 750 750 2009	GU093	00	TAB N.	<b>07</b>
	<b>FRONT FORK I</b>				

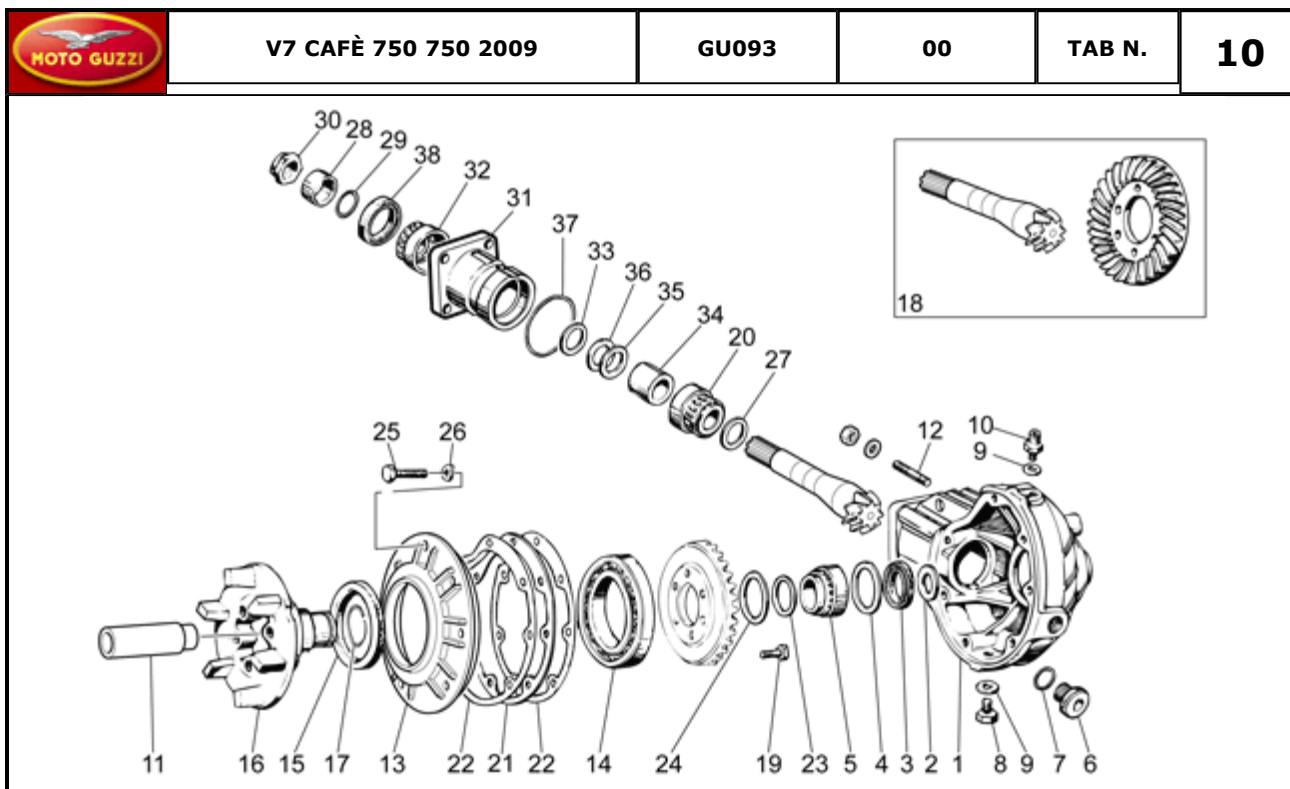


Pos.	Description	Year	I_M_	Country	Version	Code	Q.ty	P.Cod.
1	Front fork	-	-	-	-	978979	1	BD009
2	Tap.roller bearing	-	-	-	-	GU92249225	2	BA039
3	Gasket ring	-	-	-	-	AP8144146	1	-
4	Washer	-	-	-	-	AP8121307	1	-
5	Rubber spacer	-	-	-	-	AP8144081	1	-
6	Rubber cup	-	-	-	-	AP8220460	1	-

		V7 CAFÈ 750 750 2009	GU093	00	TAB N.	08		
FRONT FORK II								
								
Pos.	Description	Year	I_M_	Country	Version	Code	Q.ty	P.Cod.
1	Screw M10x30	-	-	-	-	GU03530530	2	-
2	Washer	-	-	-	-	GU03530529	2	-
3	Screw M6X30	-	-	-	-	GU98620330	2	-
4	LH sleeve cpl. Black	-	-	-	-	978978	1	BD03B
5	Upper bush	-	-	-	-	GU30526761	2	BD10*
6	Washer	-	-	-	-	GU01530568	2	-
7	Gasket ring 40x52x9,5	-	-	-	-	GU27530584	2	BD04*
8	Stop ring	-	-	-	-	GU32530501	2	-
9	Dust cover	-	-	-	-	GU01530571	2	BD05*
10	Sleeve	-	-	-	-	GU32525410	2	BD13*
11	Lower bush	-	-	-	-	GU30525861	2	BD10*
12	Drift	-	-	-	-	GU03530551	2	BD08*
13	Return spring	-	-	-	-	GU32530502	2	BD16*
14	Plunger, complete	-	-	-	-	GU32530503	2	BD259
15	Spring	-	-	-	-	GU32526610	2	BD07*
16	Pipe	-	-	-	-	GU32526310	2	-
17	Plug cpl.	-	-	-	-	GU31504583	2	BD15*
18	Screw M10X40	-	-	-	-	GU98620540	2	-
19	Stem base Black	-	-	-	-	978974	1	BD019
20	Ring nut M25X1	-	-	-	-	GU31513480	1	BA049
21	Fork upper plate	-	-	-	-	978976	1	BD119
22	O-ring 4118	-	-	-	-	GU32530505	2	-
23	Upper plate fixing bush	-	-	-	-	883498	1	BA099
24	Rubber spacer	-	-	-	-	GU32530506	2	-
25	Spacer	-	-	-	-	GU91181039	2	-
26	Washer 6,4x30x1,5	-	-	-	-	GU95005330	2	-
27	Nut M6x1	-	-	-	-	GU92630106	2	-
28	Ring	-	-	-	-	GU32530504	2	-
29	RH sleeve cpl.	-	-	-	-	978977	1	BD03A
30	Hex socket screw M6x50	-	-	-	-	GU98680350	2	-
31	Plug	-	-	-	-	GU23943410	8	-
32	Gaskets set	-	-	-	-	GU32530610	1	BD***
33	Engine oil seal kit	-	-	-	-	GU32530611	1	BD***
34	Sleeve protection	-	-	-	-	GU32504210	2	BD369
35	Pipe	-	-	-	-	883602	1	-


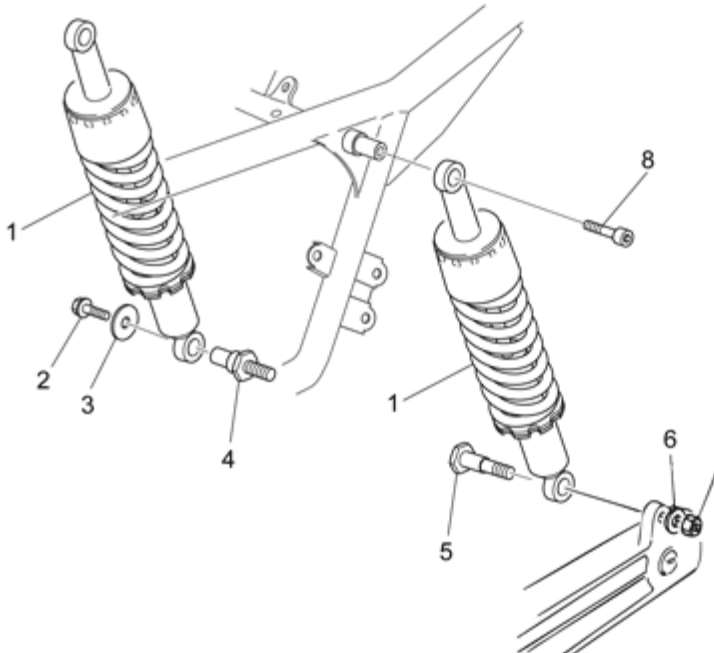


Pos.	Description	Year	I_M_	Country	Version	Code	Q.ty	P.Cod.
1	Transmission box assy., black	-	-	-	-	976941	1	AG219
2	Hose	-	-	-	-	GU31327783	1	AG209
3	Hose	-	-	-	-	GU19328801	1	AG209
4	Circlip	-	-	-	-	GU90272023	1	-
5	Disc	-	-	-	-	GU19327601	1	-
6	Spring	-	-	-	-	GU94321099	1	-
7	Coupling	-	-	-	-	GU23328081	1	AG199
8	Protection collar	-	-	-	-	GU23548080	1	AH289
9	Spring	-	-	-	-	GU23548180	1	-
10	Hose clamp D=60-80	-	-	-	-	AP8120246	1	-
11	Swing arm, black	-	-	-	-	883011	1	BE009
12	Pin	-	-	-	-	GU19547000	2	BE009
13	Spacer	-	-	-	-	GU35214300	1	BE009
14	Nut	-	-	-	-	GU31547882	2	BE019
15	Pin	-	-	-	-	GU31544181	1	-
16	Screw M10x45	-	-	-	-	GU98680545	1	BE159
17	Washer 10,2X18X2	-	-	-	-	GU95008210	1	-
18	Nut M10x1,5	-	-	-	-	GU92606210	1	-
19	Cap nut M8x1,25	-	-	-	-	GU92787008	4	-
20	Washer 8,4X13X0,8	-	-	-	-	GU14615901	4	-
21	Plug	-	-	-	-	GU93180105	2	-
22	Washer 8,4x14,57x1,6	-	-	-	-	GU95005308	4	-
23	Plug 5x9	-	-	-	-	GU03922280	1	-



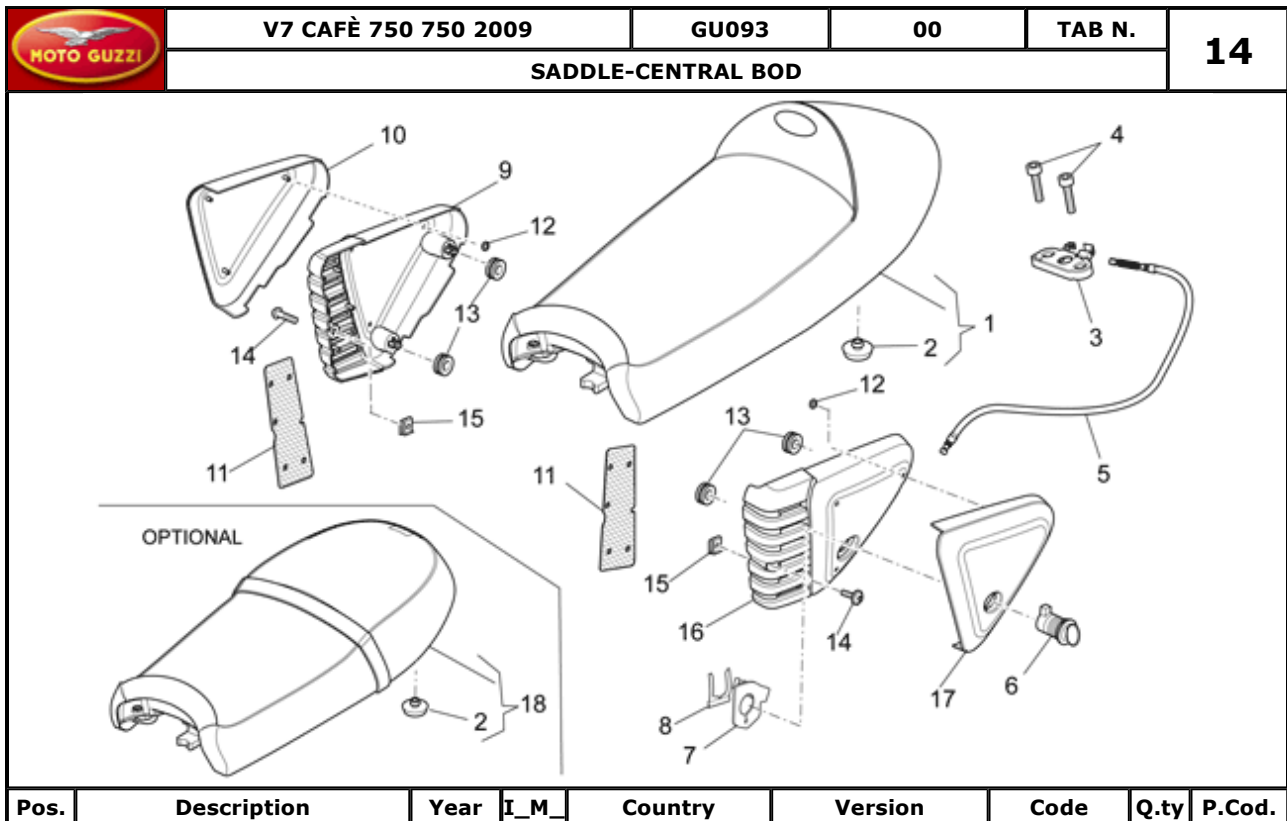
Pos.	Description	Year	I_M	Country	Version	Code	Q.ty	P.Cod.
1	Transmission housingblack	-	-	-	-	976608	1	AH279
2	Clearance washer	-	-	-	-	GU19351900	1	-
3	Gasket ring 35x47x7	-	-	-	-	GU90403549	1	-
4	Clearance washer	-	-	-	-	GU19351100	1	-
5	Roller bearing 35x50x17	-	-	-	-	GU92252235	1	AI269
6	Oil plug	-	-	-	-	GU12022600	1	-
7	O-ring 20,24X2,62	-	-	-	-	GU90706203	1	-
8	Oil unload plug M10X1	-	-	-	-	GU31003766	1	-
9	Gasket 10x18x1,5	-	-	-	-	GU01528930	2	-
10	Breather plug	-	-	-	-	GU19206501	1	-
11	Spacer	-	-	-	-	GU32633560	1	-
12	Stud bolt	-	-	-	-	GU96508055	4	-
13	Cover	-	-	-	-	GU32350410	1	AH329
14	Ball bearing 70x110x13	-	-	-	-	GU92201070	1	AI269
15	Gasket ring 75x95x10	-	-	-	-	GU90407591	1	AO369
16	Pin	-	-	-	-	GU32351410	1	BB169
17	Stop ring	-	-	-	-	GU90353030	1	-
18	Bevel gear 8/33	-	-	-	-	GU32354610	1	AG189
19	Screw M8x25	-	-	-	-	GU03067730	6	-
20	Tap.roller bearing 25x5	-	-	-	-	GU92249227	1	AI269
21	Spacer 1,1 mm	-	-	-	-	GU19355406	1	AH349
	Spacer 1,6 mm	-	-	-	-	GU19355413	1	AH349
	Spacer 1,5 mm	-	-	-	-	GU19355412	1	AH349
	Spacer 1,4 mm	-	-	-	-	GU19355411	1	AH349
	Spacer 1,2 mm	-	-	-	-	GU19355408	1	AH349
	Spacer 1 mm	-	-	-	-	GU19355404	1	AH349
	Spacer 0,9 mm	-	-	-	-	GU19355402	1	AH349
	Spacer 0,8 mm	-	-	-	-	GU19355400	1	AH349
	Spacer 1,3 mm	-	-	-	-	GU19355410	1	AH349
22	Gasket	-	-	-	-	GU19350700	2	AO439
23	Thrust washer	-	-	-	-	GU19352300	1	-
24	Thrust washer	-	-	-	-	GU19353500	1	-
25	Screw M8X25	-	-	-	-	GU19357660	7	-

26	Spring washer 8x15x0,3	-	-	-	-	-	GU61270300	7	-
27	Spacer 1,5 mm	-	-	-	-	-	GU19355325	1	AG289
	Spacer 1,9 mm	-	-	-	-	-	GU19355329	1	AG289
	Spacer 1,8 mm	-	-	-	-	-	GU19355328	1	AG289
	Spacer 1,6 mm	-	-	-	-	-	GU19355326	1	AG289
	Spacer 1,4 mm	-	-	-	-	-	GU19355324	1	AG289
	Spacer 1,3 mm	-	-	-	-	-	GU19355323	1	AG289
	Spacer 1,2 mm	-	-	-	-	-	GU19355322	1	AG289
	Spacer 1,1 mm	-	-	-	-	-	GU19355321	1	AG289
	Spacer 1 mm	-	-	-	-	-	GU19355320	1	AG289
	Spacer 1,7 mm	-	-	-	-	-	GU19355327	1	AG289
28	Spacer	-	-	-	-	-	GU19356801	1	-
29	Gasket ring 18,77X1,78	-	-	-	-	-	GU90706188	1	-
30	Nut	-	-	-	-	-	GU19356700	1	-
31	Flange	-	-	-	-	-	GU20352421	1	-
32	Roller bearing 20x47x14	-	-	-	-	-	GU92249220	1	AI269
33	Spacer 1,6 mm	-	-	-	-	-	GU19355306	1	AG289
	Spacer 1,9 mm	-	-	-	-	-	GU19355309	1	AG289
	Spacer 1 mm	-	-	-	-	-	GU19355300	1	AG289
	Spacer 1,7 mm	-	-	-	-	-	GU19355307	1	AG289
	Spacer 1,5 mm	-	-	-	-	-	GU19355305	1	AG289
	Spacer 1,4 mm	-	-	-	-	-	GU19355304	1	AG289
	Spacer 1,3 mm	-	-	-	-	-	GU19355303	1	AG289
	Spacer 1,2 mm	-	-	-	-	-	GU19355302	1	AG289
	Spacer 1,1 mm	-	-	-	-	-	GU19355301	1	AG289
	Spacer 1,8 mm	-	-	-	-	-	GU19355308	1	AG289
34	Spacer	-	-	-	-	-	GU20355121	1	-
35	Shim 0,1 mm	-	-	-	-	-	GU19355200	1	-
36	Shim 0,15 mm	-	-	-	-	-	GU19355202	1	-
37	Gasket 58,42x2,62	-	-	-	-	-	GU90706584	1	AO419
38	Gasket ring 32x47x10	-	-	-	-	-	GU90403251	1	AO389

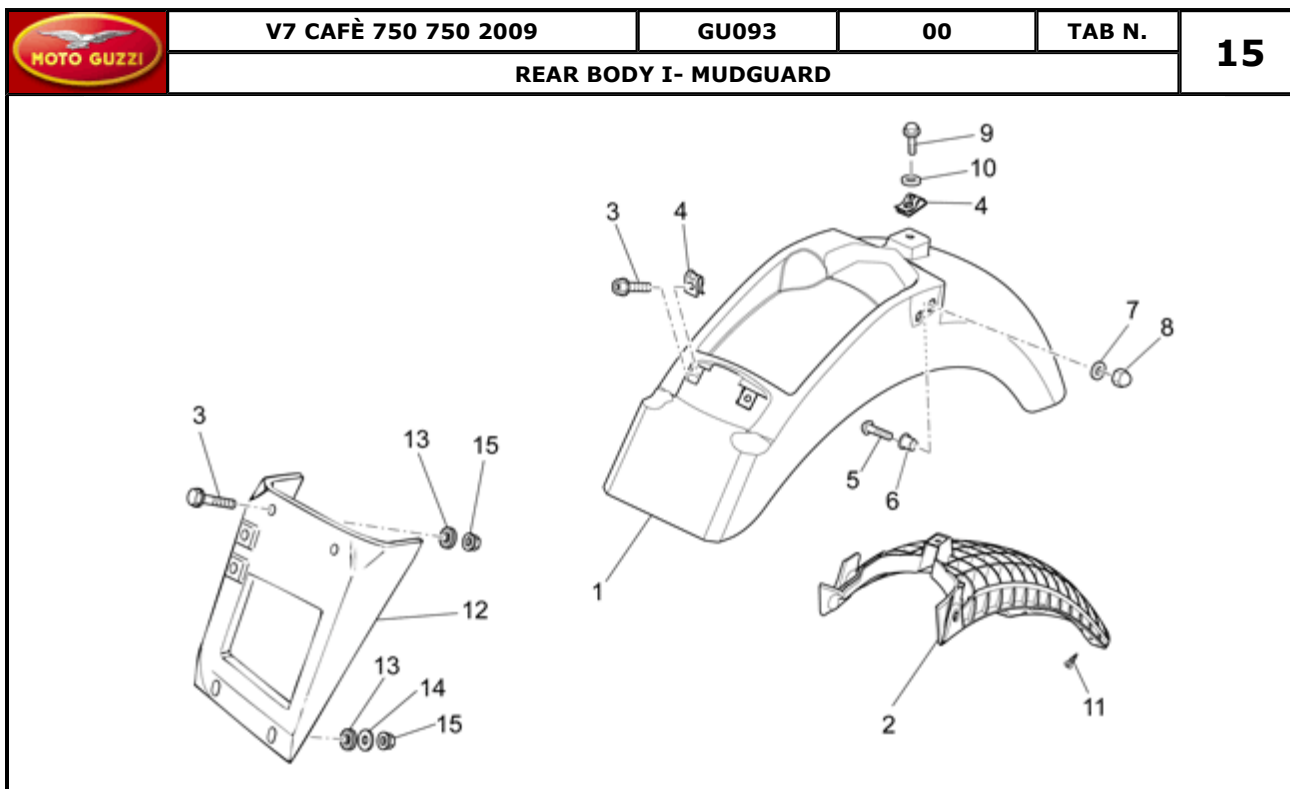
		V7 CAFÈ 750 750 2009	GU093	00	TAB N.	11		
		REAR SHOCK ABSORBER						
								
Pos.	Description	Year	I_M	Country	Version	Code	Q.ty	P.Cod.
1	Rear shock absorber SACHS	-	-	-	-	883003	2	BF00*
2	Screw w/ flange M6x16*	-	-	-	-	AP8152278	1	-
3	Washer 6,4x30x1,5	-	-	-	-	GU95005330	1	-
4	Pin	-	-	-	-	GU32555210	1	BF029
5	Pin	-	-	-	-	GU32555211	1	BF029
6	Washer	-	-	-	-	GU95129181	1	-
7	Nut M10x1,5	-	-	-	-	GU92606210	1	-
8	Hex socket screw M6X35	-	-	-	-	GU98690335	2	-

MOTO GUZZI		V7 CAFÈ 750 750 2009	GU093	00	TAB N.	12		
FUEL TANK								
Pos.	Description	Year	I_M	Country	Version	Code	Q.ty	P.Cod.
1	Fuel tank, yellow	-	-	AUS-EU-J-UK	-	y.so. 97892800XG4	1	DA009
	Fuel tank, white	-	-	AUS-EU-J-UK	-	d.wh. 97892800BMA	1	DA009
	Fuel tank blank	-	-	AUS-EU-J-UK	-	978928	1	DA009
2	Tank cap	-	-	AUS-EU-J-UK	-	883185	1	DA029
3	Flange	-	-	-	-	978929	1	DA259
4	Gasket	-	-	-	-	883193	1	DA269
5	Reduction 38 mm	-	-	-	-	GU03101720	1	-
6	Plug ring nut	-	-	-	-	GU03102200	1	DA179
7	Gasket	-	-	-	-	GU03101600	1	DA269
8	Screw M5x12	-	-	-	-	825727	5	-
9	Screw w/ flange M8x45*	-	-	-	-	AP8152291	1	-
10	Washer 8,5x24x2	-	-	-	-	GU95005312	1	-
11	Rubber spacer	-	-	-	-	GU02107100	1	-
12	Spacer	-	-	-	-	883252	1	-
13	O-ring 2018	-	-	-	-	AP8120965	1	-
14	Union	-	-	-	-	GU30103730	1	DA409
15	Hose clamp D10,1*	-	-	-	-	AP8101595	1	-
16	Pipe 5X9	-	-	-	-	GU00823944050	1	DA399

MOTO GUZZI		V7 CAFÈ 750 750 2009		GU093	00	TAB N.	13			
		FRONT BODY - FRONT MUDGUARD								
Pos.	Description	Year	I_M_	Country	Version	Code	Q.ty	P.Cod.		
1	Front mudguard, black	-	-	-	-	d.wh.- y.so. GU32434462	1	DC169		
	Front mudguard blank	-	-	-	-	GU32434460	1	DC169		
2	Stabilization plate	-	-	-	-	883266	1	-		
3	Screw	-	-	-	-	GU98350440	4	-		
4	Screw	-	-	-	-	GU31439565	4	-		
5	Washer 8,4X13X0,8	-	-	-	-	GU14615901	4	-		

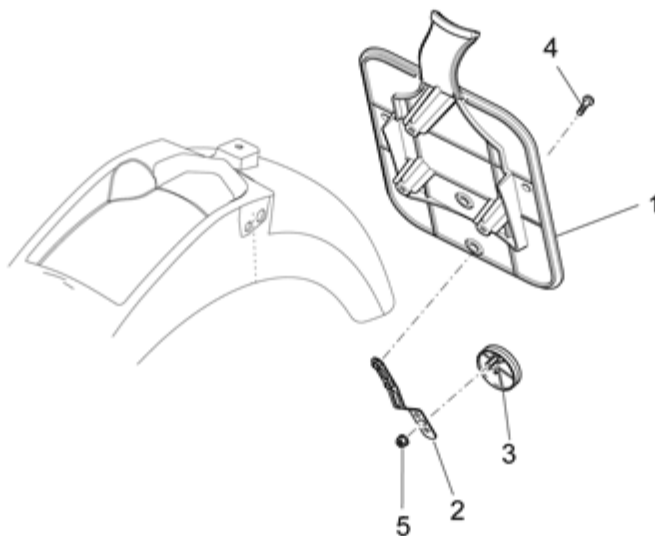


Pos.	Description	Year	I_M_	Country	Version	Code	Q.ty	P.Cod.
1	Saddle	-	-	-	-	883588	1	DG009
2	Rubber spacer	-	-	-	-	GU32461610	10	-
3	Pass.saddle connecting plate	-	-	-	-	AP8102913	1	DG019
4	Hex socket screw M6X25	-	-	-	-	GU98370625	2	-
5	Saddle release cable	-	-	-	-	883295	1	HA069
6	Saddle lock	-	-	-	-	977527	1	DH039
7	Fork spring	-	-	-	-	AP8121420	1	-
8	Cable fixing plate	-	-	-	-	978415	1	-
9	RH support	-	-	-	-	978941	1	-
10	RH side panel, white	-	-	-	d.wh.	97894000BMA	1	DC12A
	RH side panel, yellow	-	-	-	y.so.	97894000XG4	1	DC12A
11	Guard	-	-	-	-	978942	2	-
12	Washer for shafts D5	-	-	-	-	AP8150450	1	-
13	Rubber spacer	-	-	-	-	GU91551086	4	-
14	Screw w/ flange M5x9	-	-	-	-	AP8152339	2	-
15	Clip M5	-	-	-	-	AP8102375	2	-
16	LH support	-	-	-	-	978944	1	-
17	LH side panel, yellow	-	-	-	y.so.	97894300XG4	1	DC12B
	LH side panel, white	-	-	-	d.wh.	97894300BMA	1	DC12B
18	Two-seat saddle	-	-	-	OPT	978931	1	DG009

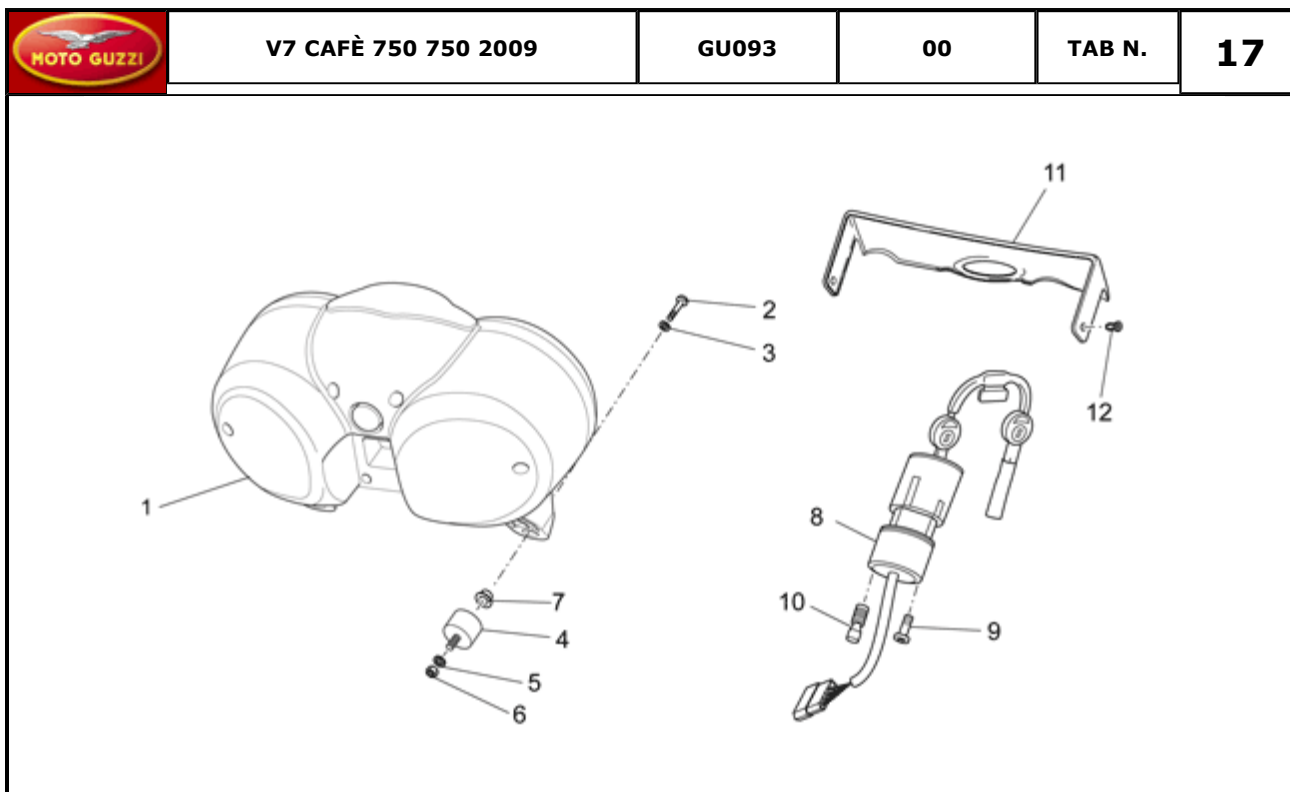


Pos.	Description	Year	I_M_	Country	Version	Code	Q.ty	P.Cod.
1	Rear mudguard, black	-	-	-	-	d.wh.- y.so. 97894600Y02	1	DC179
2	Support	-	-	-	-	978947	1	DC179
3	Screw w/ flange M6x16*	-	-	-	-	AP8152278	4	-
4	Clip M6	-	-	-	-	GU28576591	3	-
5	Hex socket screw M8x30	-	-	-	-	GU98370831	2	-
6	Spacer	-	-	-	-	GU91120806	2	-
7	Washer 8,4x15	-	-	-	-	GU03270300	2	-
8	Cap nut M8x1,25	-	-	-	-	GU92787008	2	-
9	Screw w/ flange M6x20	-	-	-	-	AP8152279	2	-
10	Spacer 6,2x8x3	-	-	-	-	GU91180601	2	-
11	Phillips screw, SWP M5X20	-	-	-	-	AP8152329	3	-
12	Splash guard	-	-	-	-	GU31438765	1	DC199
13	Rubber spacer	-	-	-	-	GU93110060	4	-
14	Washer 6,4x12x1,2	-	-	-	-	GU95100141	2	-
15	Self-locking nut M6*	-	-	-	-	AP8152299	4	-


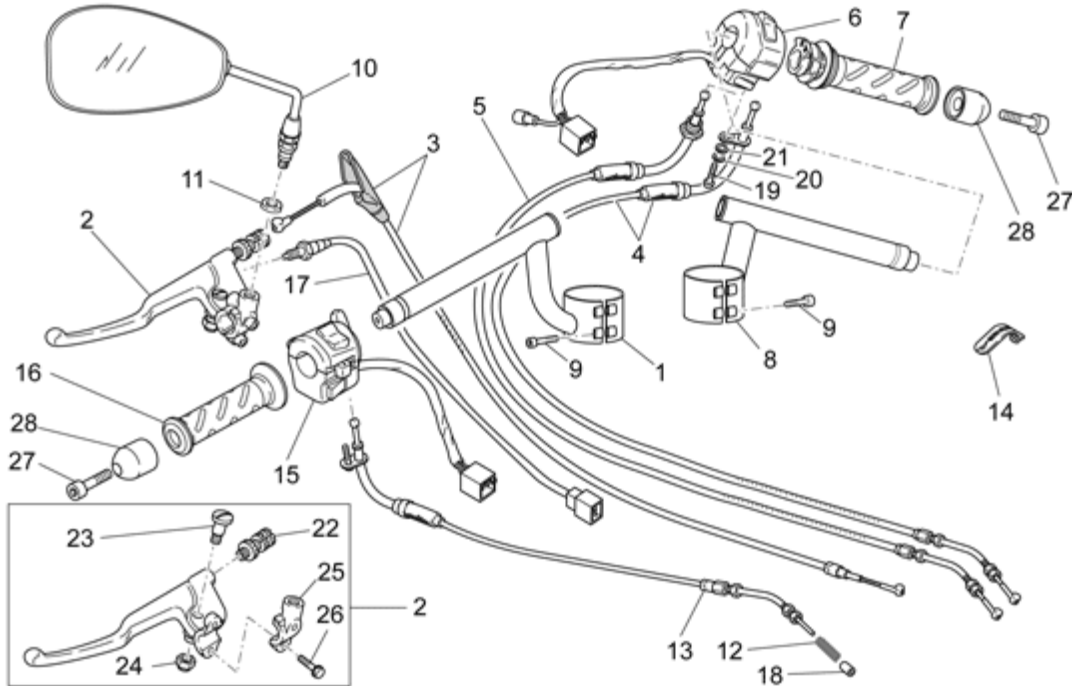
	<b>V7 CAFÈ 750 750 2009</b>	<b>GU093</b>	<b>00</b>	<b>TAB N.</b>	<b>16</b>
	<b>REAR BODY II- PLATE HOLDER</b>				





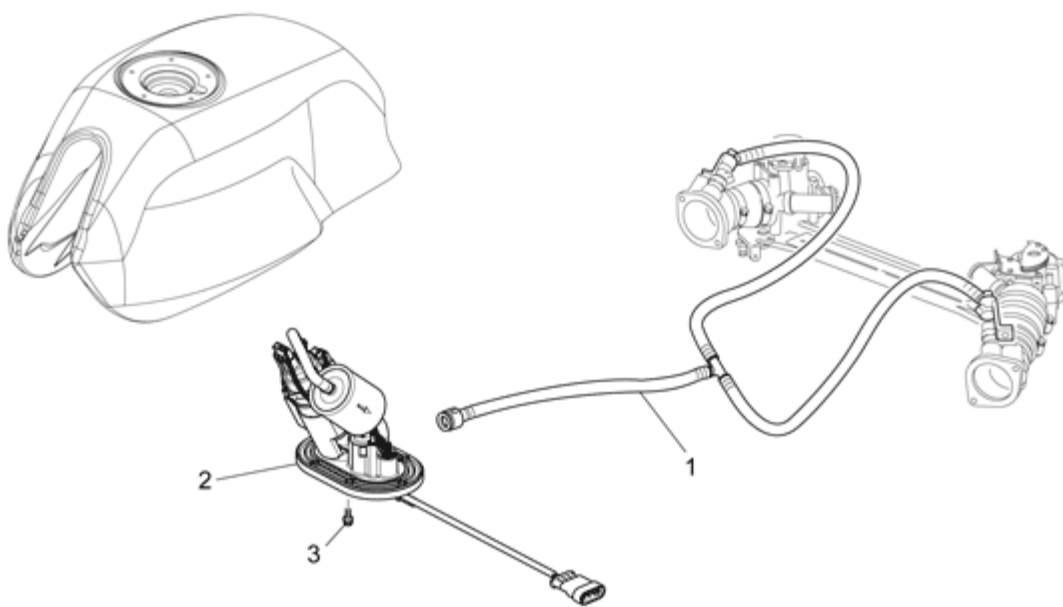
Pos.	Description	Year	I_M_	Country	Version	Code	Q.ty	P.Cod.
1	Number plate holder	-	-	-	-	978949	1	DC149
2	Reflector support	-	-	-	-	AP8134448	1	CB21F
3	Rear reflector, red	-	-	-	-	AP8224164	1	CB08F
4	Hex socket screw M5x10	-	-	-	-	GU98230510	2	-
5	Self-locking nut M5*	-	-	-	-	AP8152306	2	-



Pos.	Description	Year	I_M_	Country	Version	Code	Q.ty	P.Cod.
1	Dashboard complete	-	-	AUS-CA-EU-J	-	978932	1	JA009
	Dashboard complete	-	-	UK-USA	-	883339	1	JA009
2	Hex socket screw M6x10	-	-	-	-	GU98370609	3	-
3	Washer 6,4x13x1,5	-	-	-	-	GU95005306	3	-
4	Silent-block	-	-	-	-	GU93222023	3	-
5	Washer	-	-	-	-	GU95021206	3	-
6	Nut M6*	-	-	-	-	GU92606206	3	-
7	Bush	-	-	-	-	AP8121032	3	-
8	Main switch - steering lock	-	-	-	-	GU32782510	1	DH029
9	Hex socket screw M8X16	-	-	-	-	GU98682416	1	-
10	Special screw M8x15	-	-	-	-	AP8150349	1	-
11	Cover	-	-	-	-	883569	1	-
12	Pin	-	-	-	-	GU23922210	2	-

		V7 CAFÈ 750 750 2009	GU093	00	TAB N.	18		
								
Pos.	Description	Year	I_M	Country	Version	Code	Q.ty	P.Cod.
1	Left half handlebar	-	-	-	-	883503	1	BC08B
2	Clutch lever	-	-	-	-	GU32605510	1	BC059
3	Clutch cable	-	-	-	-	883591	1	HA059
4	Gas trasmission delivery	-	-	-	-	GU32117010	1	HA029
5	Gas trasmission return	-	-	-	-	GU32117011	1	HA029
6	RH lights selector	-	-	-	-	GU32738810	1	CD10A
7	RH hand grip	-	-	-	-	GU32603310	1	BC039
8	Right half handlebar	-	-	-	-	883509	1	BC08A
9	Hex socket screw M6x25	-	-	-	-	GU98692325	4	-
10	RH/LH rearview mirror	-	-	-	-	978570	2	DF10A
11	Spacer 10,25X20X4	-	-	-	-	GU91181003	2	-
12	Spring 7x1,1x25	-	-	-	-	GU94321074	1	-
13	Choke cable	-	-	-	-	GU32137010	1	HA019
14	Hose clamp L36 mm	-	-	-	-	GU03609600	1	-
	Hose clamp L46 mm	-	-	-	-	GU01609630	2	-
15	LH lights selector	-	-	-	-	883075	1	CD10B
16	LH hand grip	-	-	-	-	GU32603010	1	BC039
17	Lateral stand switch	-	-	-	-	GU29759150	1	CD159
18	Plug	-	-	-	-	GU39094200	1	-
19	Hex socket screw M5x10	-	-	-	-	GU98230510	1	-
20	Washer 5,3X10X1	-	-	-	-	GU95008305	1	-
21	Notched washer	-	-	-	-	GU95021105	1	-
22	Register	-	-	-	-	GU30602500	1	-
23	Screw	-	-	-	-	AP8213028	1	-
24	Self-locking nut	-	-	-	-	AP8213388	1	-
25	Clump	-	-	-	-	GU30601060	1	-
26	Black screw w/ flange M6x25	-	-	-	-	GU97202325	2	-
27	Hex socket screw M6X35	-	-	-	-	GU98690335	2	-
28	Anti.v weight, chr.	-	-	-	-	GU32602860	2	BC06*

		V7 CAFÈ 750 750 2009	GU093	00	TAB N.	19		
		FRONT BRAKE SYSTEM						
Pos.	Description	Year	I_M_	Country	Version	Code	Q.ty	P.Cod.
1	Front master cilinder	-	-	-	-	GU03660145	1	IA00E
2	Brake hose	-	-	-	-	883581	1	IA05E
3	Screw w/ flange M6x12*	-	-	-	-	AP8152277	1	-
4	Hex socket screw M4x12	-	-	-	-	GU98370412	1	-
5	Brake light switch	-	-	-	-	GU03749845	1	CD00E
6	Pump cover	-	-	-	-	GU03661145	1	IA03A
7	U-bolt	-	-	-	-	GU03664045	1	IA029
8	Lever pin	-	-	-	-	GU03604845	1	IA01E
9	Brake lever	-	-	-	-	GU03605645	1	IA01E
10	Bleeder+cap	-	-	-	-	GU05659230	1	IA11E
11	Pins+Caliper springs	-	-	-	-	GU01659130	1	IA11E
12	Spring	-	-	-	-	GU01659131	1	IA11E
13	LH front brake caliper, black	-	-	-	-	883303	1	IA06U
14	Gasket	-	-	-	-	AP8121915	4	-
15	Oil pipe screw *	-	-	-	-	978323	2	-
16	Hex socket screw M10x1,25	-	-	-	-	AP8152385	2	-
17	Pads pair	-	-	-	-	GU01654630	1	IA07*
18	Spacer 10,25X20X4	-	-	-	-	GU91181003	2	-
19	Washer 4,3x8x1,5	-	-	-	-	GU95021104	1	-
20	Washer 6,4x12x1,2	-	-	-	-	GU95008306	1	-

	<b>V7 CAFÈ 750 750 2009</b>		<b>GU093</b>	<b>00</b>	<b>TAB N.</b>	<b>20</b>		
	<b>FUEL SUPPLY</b>							
								
Pos.	Description	Year	I_M_	Country	Version	Code	Q.ty	P.Cod.
1	Fuel pipe	-	-	-	-	883265	1	DA399
2	Fuel pump	-	-	-	-	978930	1	DA139
3	Screw w/ flange M5x16	-	-	-	-	AP8152273	6	-



V7 CAFÈ 750 750 2009

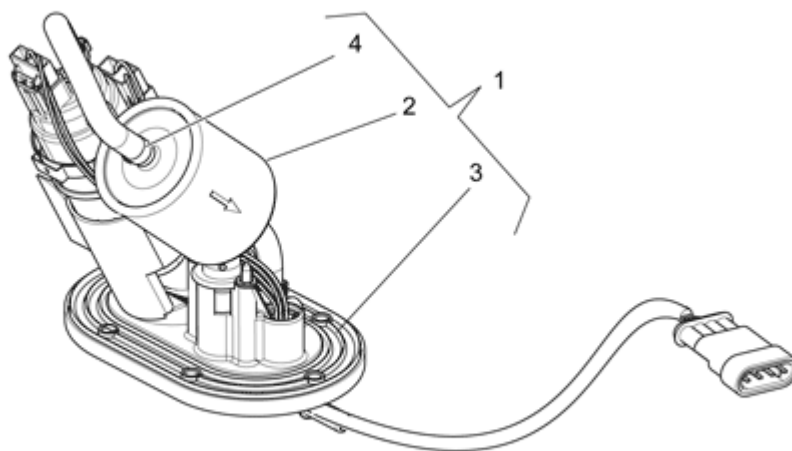
GU093

00

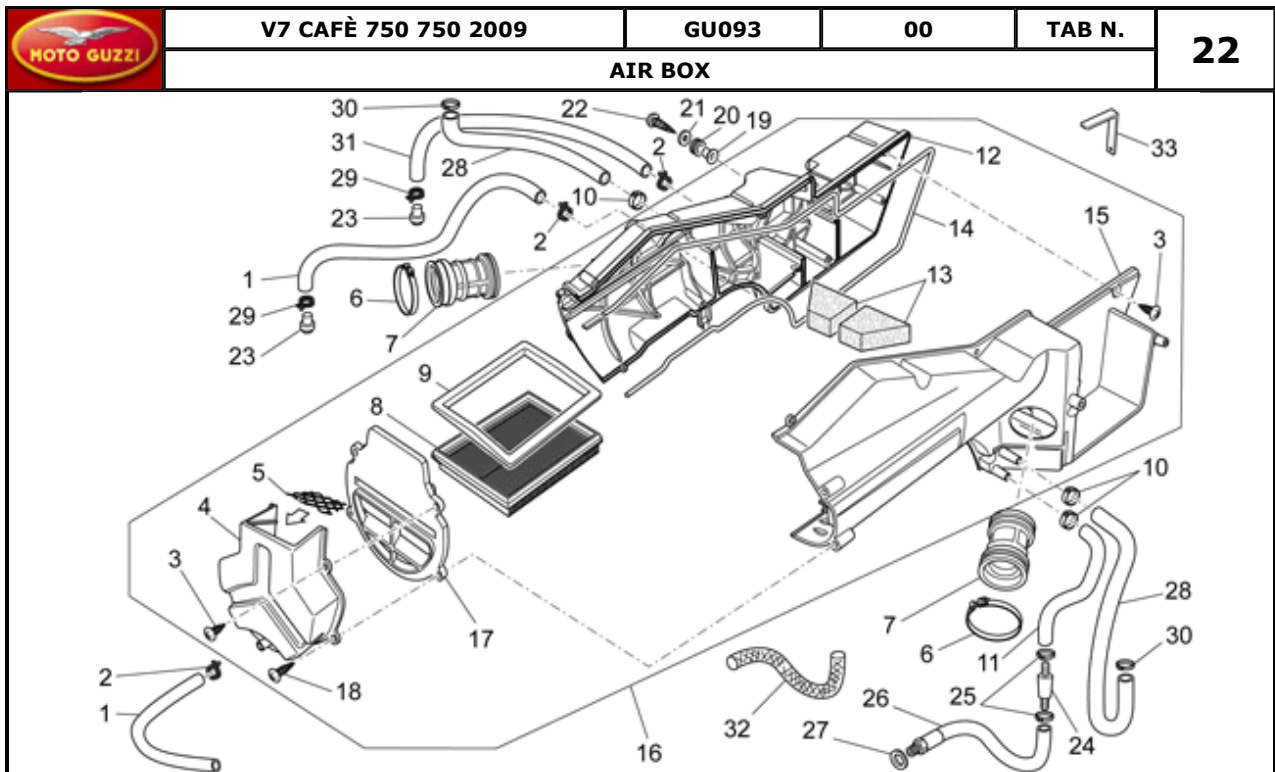
TAB N.

21

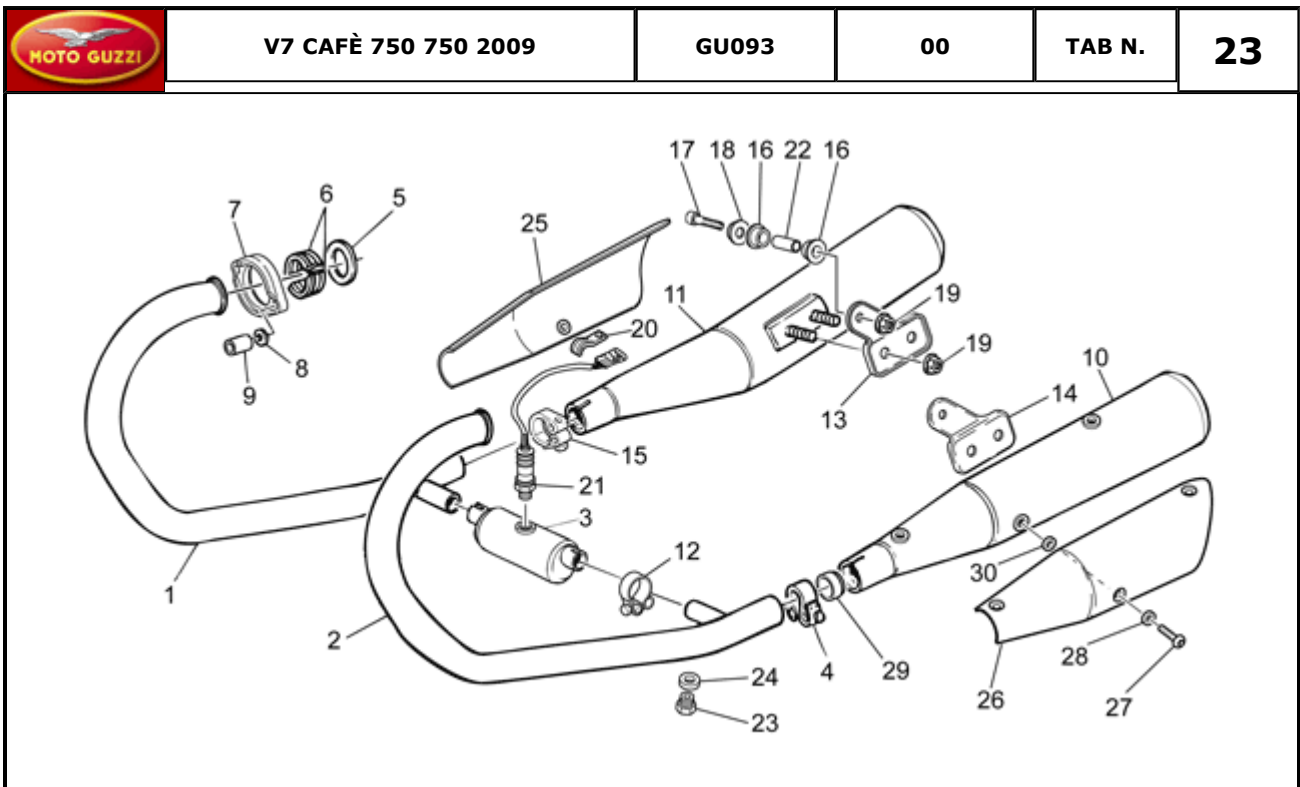
FUEL PUMP



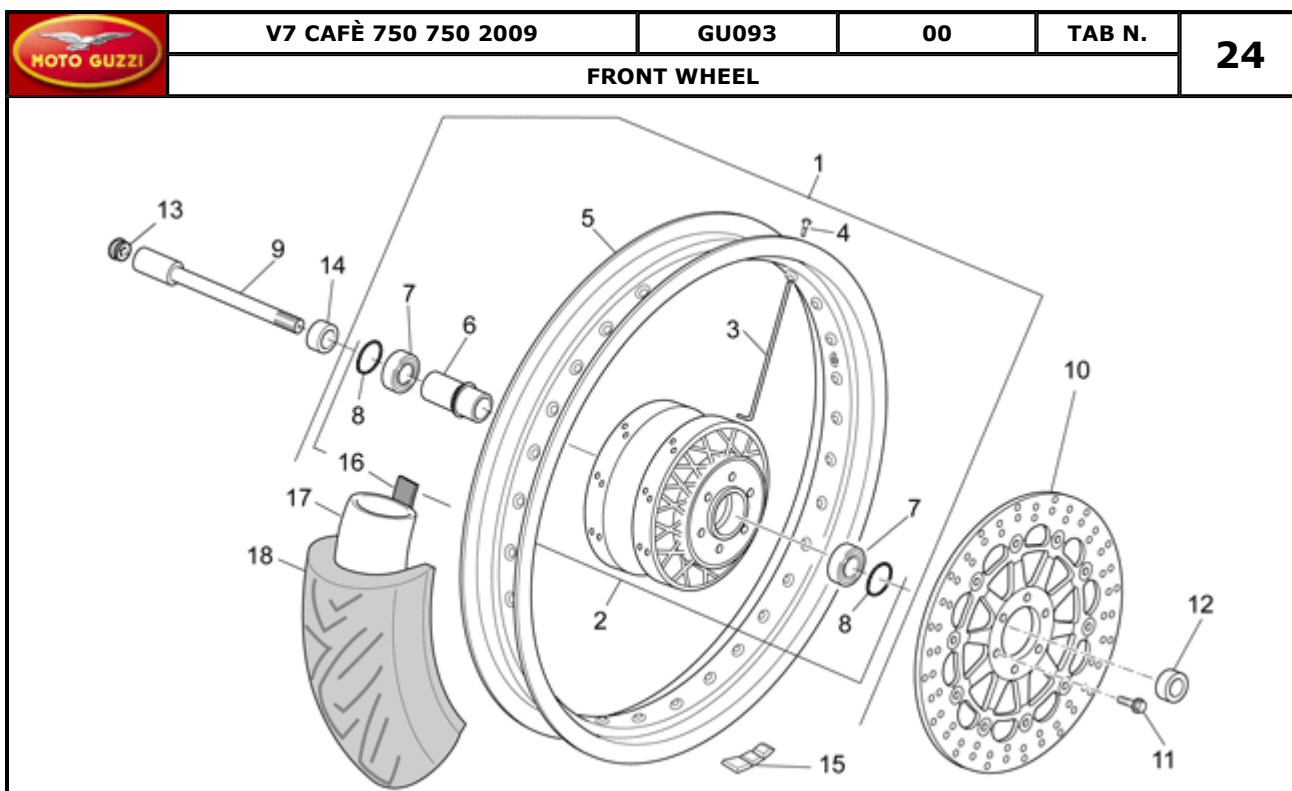
Pos.	Description	Year	I_M_	Country	Version	Code	Q.ty	P.Cod.
1	Fuel pump	-	-	-	-	978930	1	DA139
2	Fuel filter	-	-	-	-	GU01106090	1	DA099
3	Gasket	-	-	-	-	GU05107430	1	DA429
4	Hose clamp 11,3	-	-	-	-	GU01108490	4	-



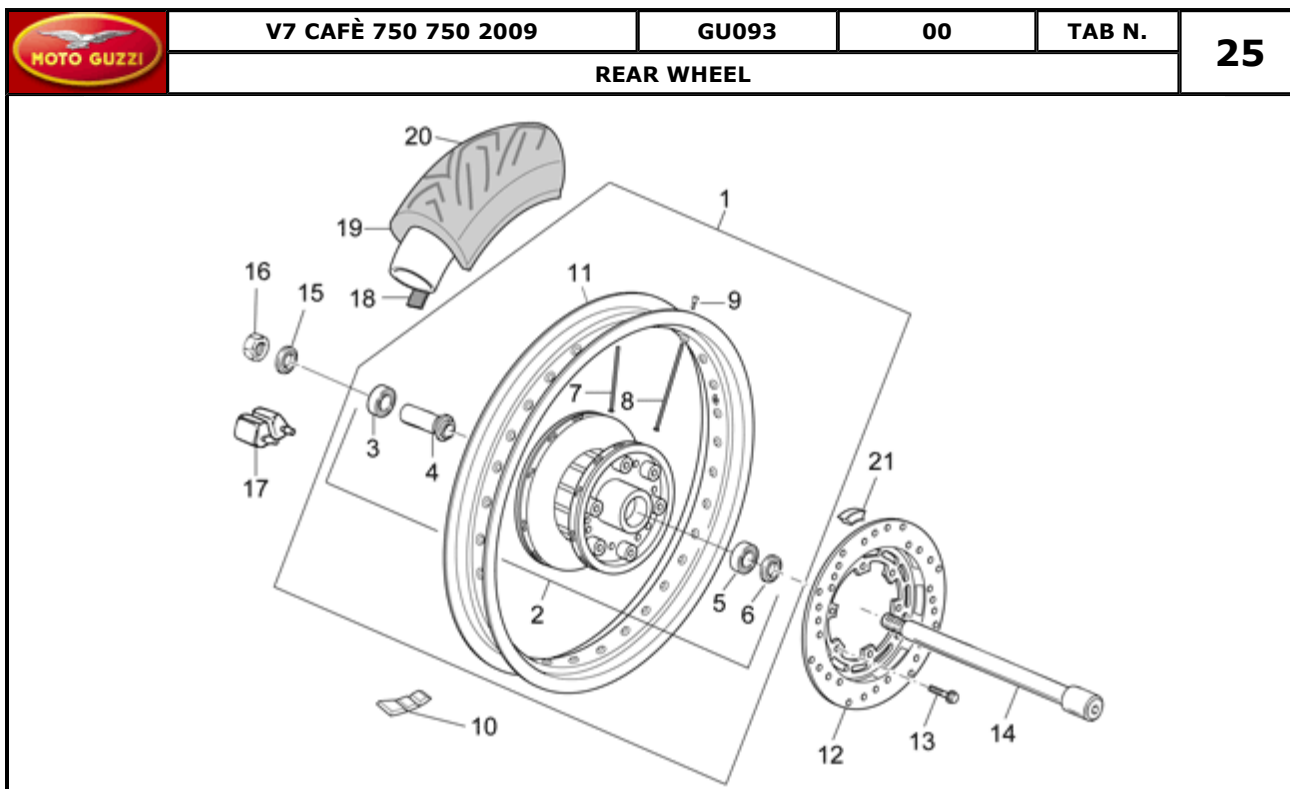
Pos.	Description	Year	I_M	Country	Version	Code	Q.ty	P.Cod.
1	Fuel pipe 5,5x10	-	-	-	-	AP8120952	2	-
2	Hose clamp D 11,9	-	-	-	-	AP8201358	2	-
3	Self-tap screw 3,9x14	-	-	-	-	AP8150413	12	EB009
4	Filter cover	-	-	-	-	GU32116910	1	EB069
5	Filter mesh	-	-	-	-	GU32113510	1	EB039
6	Hose clamp 61/65,5	-	-	-	-	GU93305061	2	-
7	Intake hose	-	-	-	-	GU32114410	2	EB04*
8	Air filter	-	-	-	-	AP8104242	1	EB029
9	Support	-	-	-	-	GU32114110	1	EB199
10	Hose clamp	-	-	-	-	AP8102766	3	-
11	Breather pipe	-	-	-	-	AP8120772	1	EB239
12	RH Bearing shell	-	-	-	-	GU32114011	1	EB019
13	Filter blow-by	-	-	-	-	AP8104525	2	-
14	Gasket D3	-	-	-	-	AP8120615	3	-
15	LH Bearing shell	-	-	-	-	GU32114012	1	EB019
16	Air box	-	-	-	-	GU32110110	1	EB019
17	Plug	-	-	-	-	GU32113410	1	-
18	Phillips screw, SWP M5X20	-	-	-	-	AP8152329	3	-
19	Spacer D.6,5	-	-	-	-	GU30576100	3	-
20	Rubber spacer	-	-	-	-	GU91551010	3	-
21	Washer 5,25x14x1,5	-	-	-	-	GU95100059	3	-
22	Phillips screw, SWP M5X20	-	-	-	-	AP8152329	3	-
23	Plug	-	-	-	-	AP8120876	3	-
24	Oil breather valve	-	-	-	-	AP8104251	1	AJ329
25	Hose clamp	-	-	-	-	AP8102159	2	-
26	Breather	-	-	-	-	GU32159310	1	EB239
27	Gasket	-	-	-	-	GU90714082	1	-
28	Breather pipe	-	-	-	-	GU32159610	2	-
29	Hose clamp D9	-	-	-	-	GU61108500	2	-
30	Hose clamp 12,5x8	-	-	-	-	AP8102239	2	-
31	Fuel pipe 6x10	-	-	-	-	AP8144038	1	-
32	Thermal sheath	-	-	-	-	GU00823923140	1	-
33	Square	-	-	-	-	GU31112965	1	-



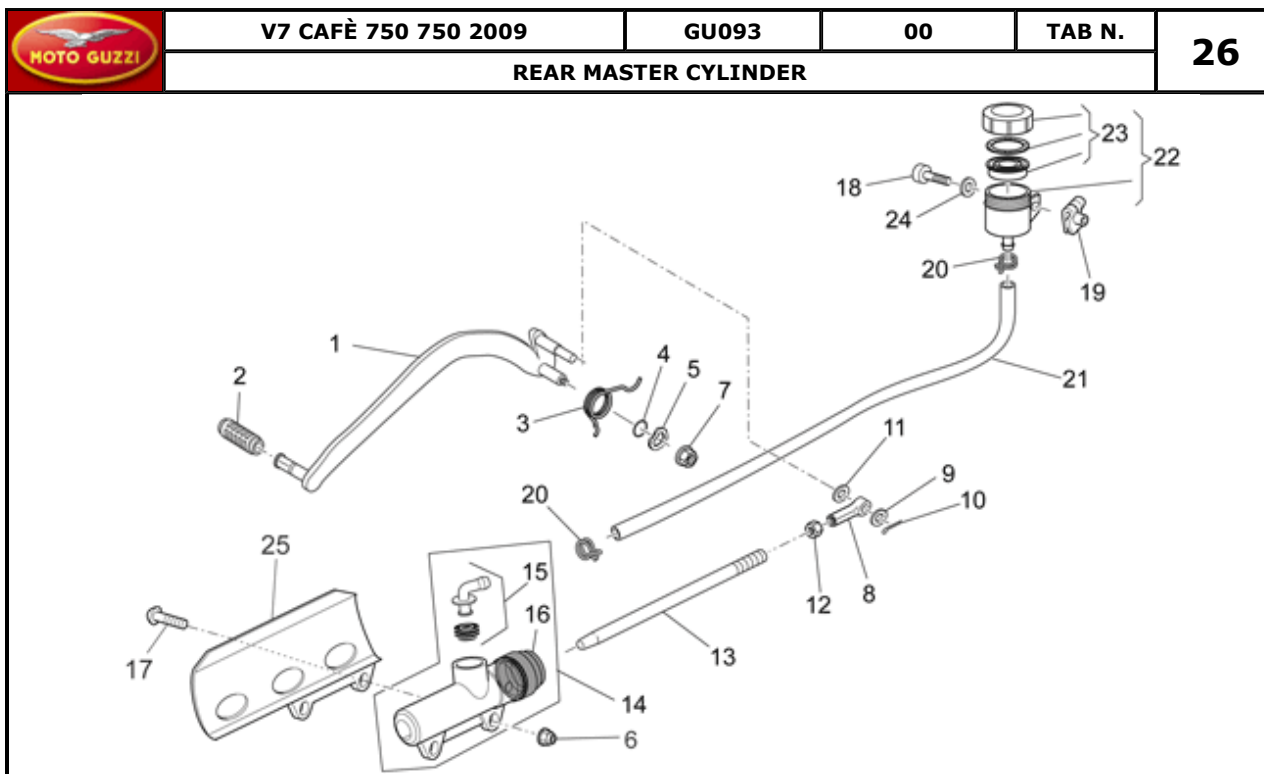
Pos.	Description	Year	I_M	Country	Version	Code	Q.ty	P.Cod.
1	RH exhaust pipe	-	-	-	-	GU32120710	1	FA00A
2	LH exhaust pipe	-	-	-	-	GU32120711	1	FA00B
3	Expansion chamber	-	-	-	-	GU32123910	1	FA029
4	LH silencer clamp	-	-	-	-	978387	1	FC02B
5	Gasket	-	-	-	-	GU19025280	2	AO03*
6	Spacer	-	-	-	-	GU19025460	4	-
7	Ring nut	-	-	-	-	GU32121010	2	-
8	Washer 6,4x12	-	-	-	-	GU03013800	4	-
9	Nut	-	-	-	-	GU31121880	4	-
10	LH silencer	-	-	-	-	883546	1	FC00B
11	RH silencer	-	-	-	-	883545	1	FC00A
12	Hose clamp	-	-	-	-	978385	2	FC029
13	RH plate	-	-	-	-	GU32128610	1	FC05A
14	LH plate	-	-	-	-	GU32129010	1	FC05B
15	RH silencer clamp	-	-	-	-	978386	1	FC02A
16	Rubber exhaust	-	-	-	-	AP8144071	4	-
17	Hex socket screw M8x40	-	-	-	-	GU98680440	2	-
18	Silencer fixing bush	-	-	-	-	AP8134378	2	-
19	Nut M8	-	-	-	-	GU92640508	6	-
20	U-bolt	-	-	-	-	GU93301175	1	-
21	Lamda sensor	-	-	-	-	GU32727010	1	AN079
22	Spacer	-	-	-	-	AP8121072	2	-
23	Plug	-	-	-	-	GU98110007	2	-
24	Gasket	-	-	-	-	GU30109330	2	-
25	RH protection	-	-	-	-	GU32121910	1	-
26	LH protection	-	-	-	-	GU32121911	1	-
27	Hex socket screw M6x10	-	-	-	-	GU98370609	6	-
28	Washer 6,4x13x1,5	-	-	-	-	GU95005306	6	-
29	Bush	-	-	-	-	GU91113826	2	-
30	Insulating washer	-	-	-	-	AP8221297	6	-



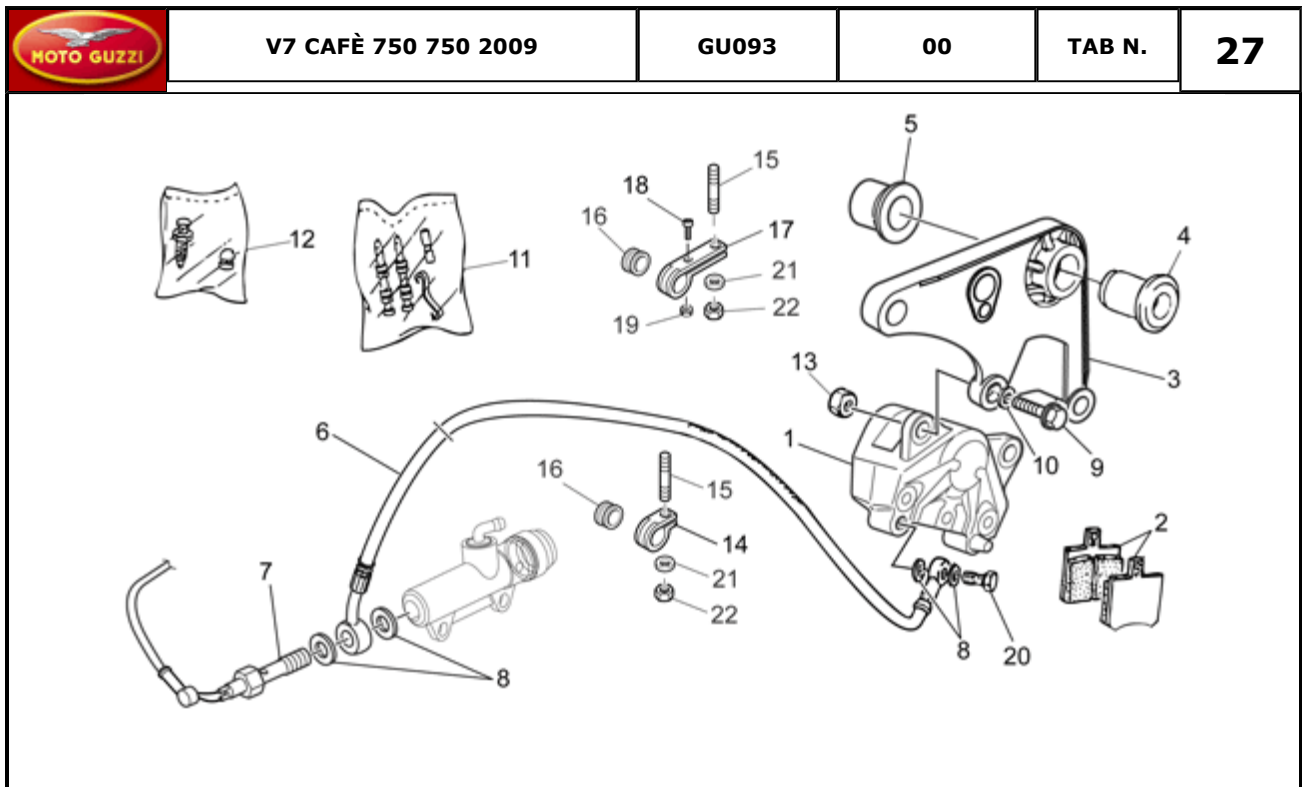
Pos.	Description	Year	I_M_	Country	Version	Code	Q.ty	P.Cod.
1	Front wheel 2,15x18"	-	-	-	-	GU32610360	1	BB23E
2	Front hub	-	-	-	-	GU32613160	1	BB14E
3	Spoke	-	-	-	-	GU32611660	36	BB12E
4	Nipples	-	-	-	-	GU03631250	36	BB13E
5	Front wheel 2,50x18"	-	-	-	-	GU32610860	1	BB11E
6	Spacer	-	-	-	-	GU31615260	1	BB32E
7	Bearing	-	-	-	-	GU92204221	2	BB01E
8	Gasket ring	-	-	-	-	GU90402642	1	-
9	Front wheel spindle	-	-	-	-	GU31614183	1	BB03E
10	Front brake disc	-	-	-	-	977024	1	IA08E
11	Screw w/ flange M8x20	-	-	-	-	AP8152286	6	-
12	LH spacer	-	-	-	-	GU31616384	1	-
13	Plug 15 mm	-	-	-	-	GU93180111	1	-
14	RH spacer	-	-	-	-	GU32615660	1	-
15	Counterweight	-	-	-	-	GU14616150	1	BB29F
16	Rear wheel flap	-	-	-	-	0000000	1	BB34E
17	Front inner tube 18"	-	-	-	-	0000000	1	BB05E
18	Front/rear tyre 100/90 V18	-	-	-	-	0000000	1	BB04E



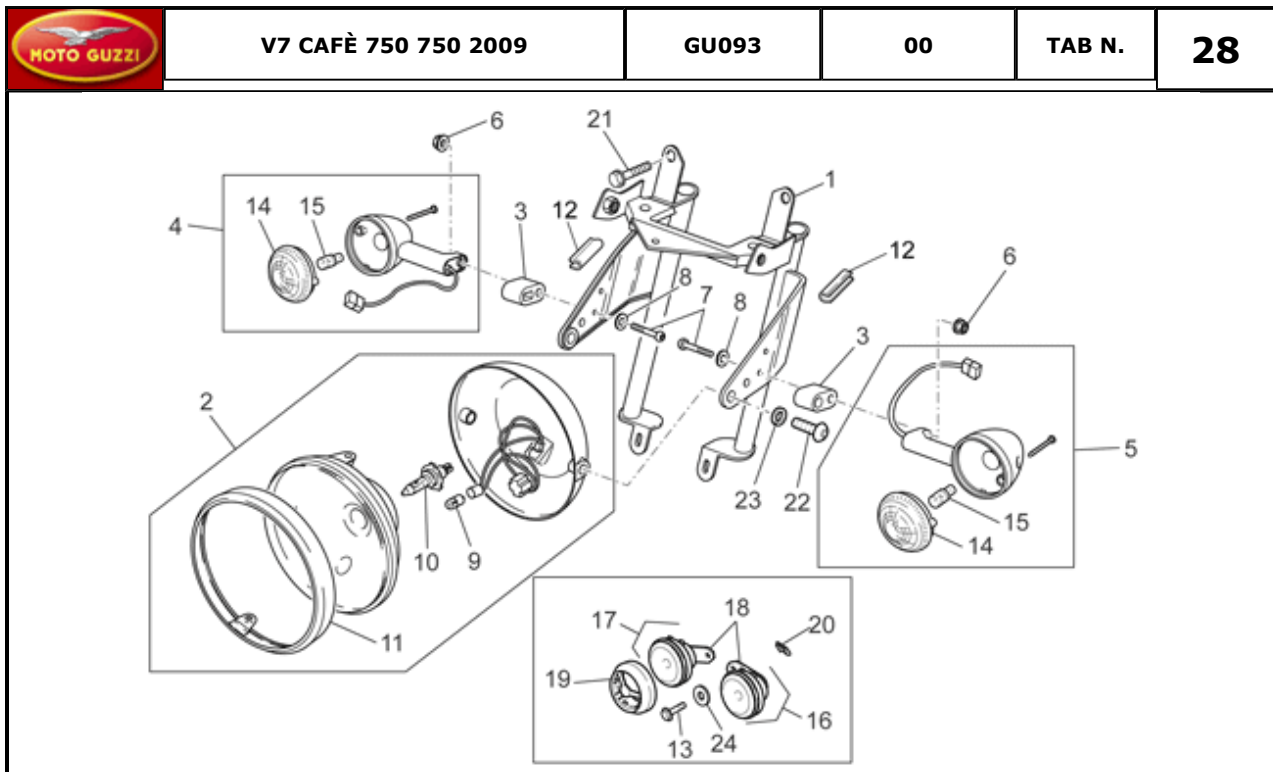
Pos.	Description	Year	I_M_	Country	Version	Code	Q.ty	P.Cod.
1	Rear wheel(complete) 3.00x17"	-	-	-	-	978761	1	BB23F
2	Hub	-	-	-	-	GU32692260	1	BB14F
3	Bearing	-	-	-	-	GU92204218	1	BB09F
4	Spacer	-	-	-	-	GU27633910	1	BB32F
5	Bearing	-	-	-	-	GU92204217	1	BB01F
6	Gasket ring 25x40x7	-	-	-	-	GU90402538	1	-
7	Short spoke mm 147	-	-	-	-	883350	18	BB12F
8	Long spoke mm 158	-	-	-	-	883349	18	BB12F
9	Nipples	-	-	-	-	GU03631250	36	BB13F
10	Counterweight	-	-	-	-	GU14616150	1	BB29F
11	Rear wheel 3.5x17"	-	-	-	-	978757	1	BB11F
12	Brake disc	-	-	-	-	GU31613381	1	IA08F
13	Hex socket screw M8x25	-	-	-	-	GU98682425	6	IA09F
14	Rear wheel spindle	-	-	-	-	GU32633360	1	BB03F
15	Washer	-	-	-	-	GU31634481	1	-
16	Nut M16x1,5	-	-	-	-	GU92606316	1	-
17	Rubber coupling	-	-	-	-	GU32632510	6	BB15F
18	Rear wheel flap	-	-	-	-	0000000	1	BB34F
19	Rear inner tube 18"	-	-	-	-	0000000	1	BB05F
20	Rear tyre 130/90 V16	-	-	-	-	0000000	1	BB04F
21	Support rubber part	-	-	-	-	GU32636160	1	-



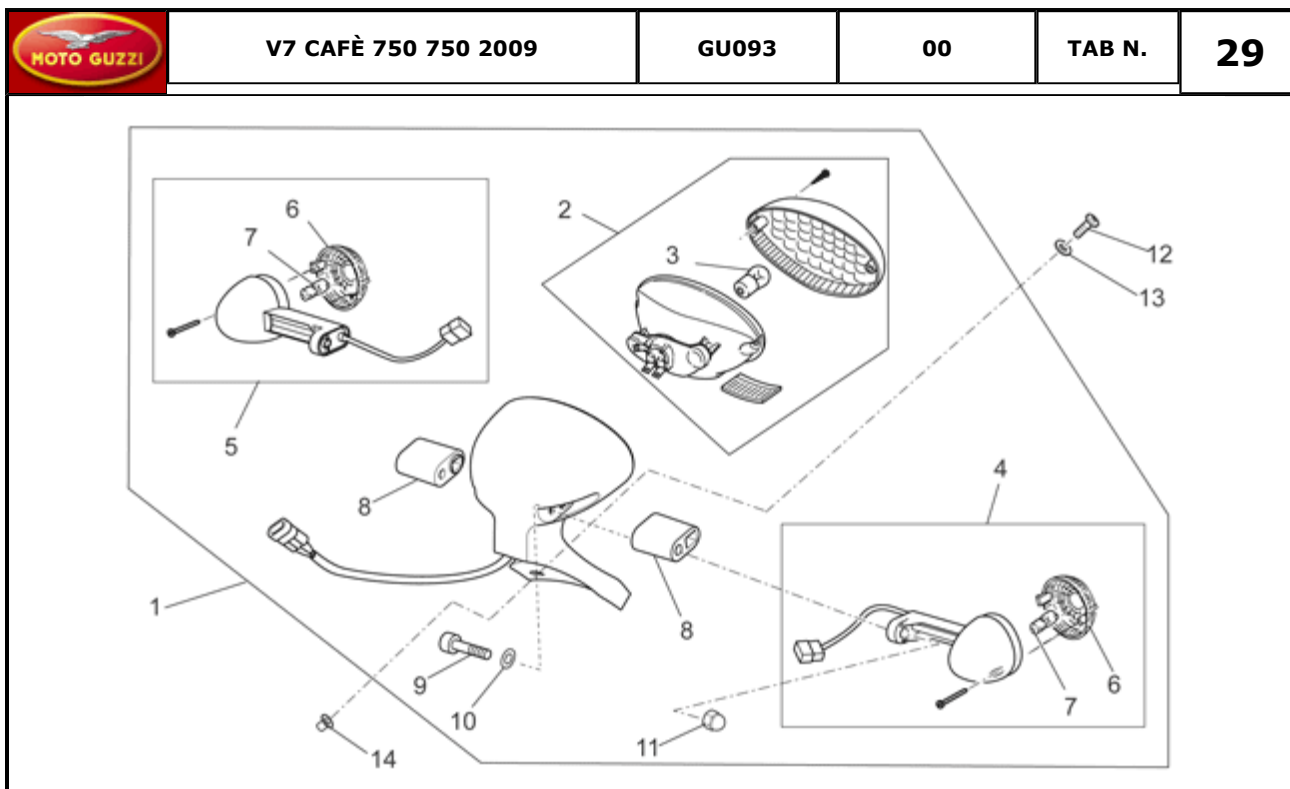
Pos.	Description	Year	I_M_	Country	Version	Code	Q.ty	P.Cod.
1	Rear brake lever	-	-	-	-	883058	1	IA01F
2	Rubber spacer	-	-	-	-	GU14251001	1	IA169
3	Spring	-	-	-	-	978969	1	IA229
4	O-ring 11,11x1,78	-	-	-	-	AP8144007	2	-
5	Washer 8,4x18x2	-	-	-	-	GU95005310	1	-
6	Nut M6x1	-	-	-	-	GU92630206	2	-
7	Flanged nut M8	-	-	-	-	GU92660021	1	-
8	Block	-	-	-	-	GU18257551	1	-
9	Washer	-	-	-	-	GU95005311	1	-
10	Split pin	-	-	-	-	GU95500221	1	-
11	Washer 8,4x15	-	-	-	-	GU03270300	1	-
12	Nut	-	-	-	-	GU92609007	1	-
13	Master cylinder rod	-	-	-	-	978970	1	IA199
14	Rear master cylinder	-	-	-	-	AP8133643	1	IA00F
15	Rear brake pump union	-	-	-	-	AP8213057	1	-
16	Rubber bellows	-	-	-	-	AP8113288	1	-
17	Hex socket screw M6X25	-	-	-	-	GU98370625	2	-
18	Hex socket screw M5x15	-	-	-	-	GU98682215	1	-
19	Clip M5	-	-	-	-	AP8102375	1	-
20	Hose clamp D10,1*	-	-	-	-	AP8101594	2	-
21	Oil pipe	-	-	-	-	GU00823950050	1	-
22	Brake oil tank complete	-	-	-	-	AP8113241	1	IA12F
23	Tank cap	-	-	-	-	AP8113553	1	IA329
24	Washer 5,25x14x1,5	-	-	-	-	GU95100059	1	-
25	Brake m.cyl.protection, black	-	-	-	-	GU01665410	1	IA339



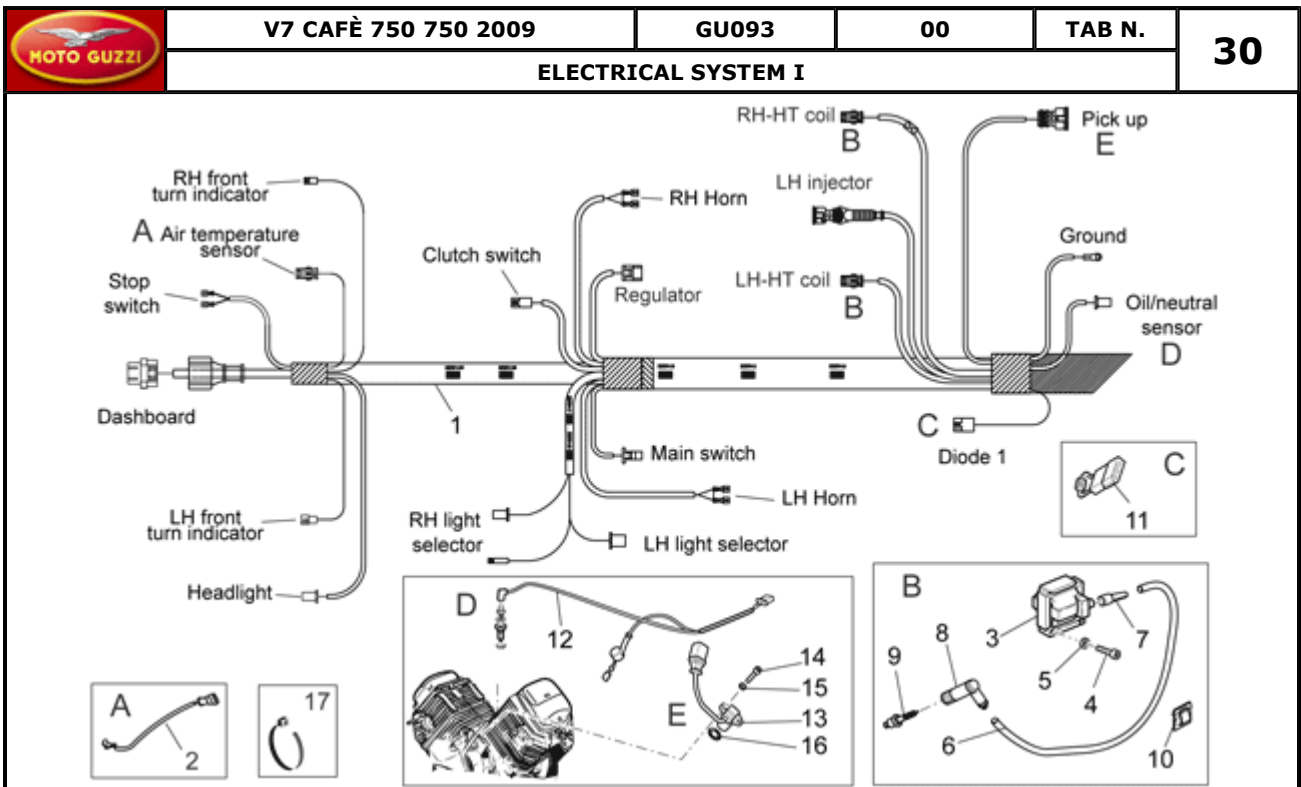
Pos.	Description	Year	I_M_	Country	Version	Code	Q.ty	P.Cod.
1	Rear brake caliper Brembo	-	-	-	-	883296	1	IA06F
2	Pads pair	-	-	-	-	GU31654681	1	IA07F
3	Brake hanger plate	-	-	-	-	GU326358601	1	IA139
4	Bush	-	-	-	-	GU31634281	1	-
5	Spacer	-	-	-	-	GU32634160	1	-
6	Brake hose	-	-	-	-	883180	1	IA05F
7	Switch	-	-	-	-	883192	1	CD00F
8	Gasket	-	-	-	-	AP8121915	4	-
9	Screw	-	-	-	-	GU97202435	2	-
10	Washer 8,4x15	-	-	-	-	GU03270300	2	-
11	Pins+spring kit	-	-	-	-	GU31659181	1	-
12	Bleeder+cap	-	-	-	-	GU31659281	1	IA11F
13	Self-locking nut M8*	-	-	-	-	AP8152300	2	-
14	Hose clamp	-	-	-	-	GU03658430	1	-
15	Stud bolt	-	-	-	-	GU96451316	1	-
16	Ring	-	-	-	-	GU03658201	2	-
17	Hose clamp	-	-	-	-	GU03658330	1	-
18	Screw	-	-	-	-	GU98257410	1	-
19	Nut M4x0,7	-	-	-	-	GU92630104	1	-
20	Oil pipe screw *	-	-	-	-	978323	1	-
21	Washer 6,4x12x1,2	-	-	-	-	GU95008306	2	-
22	Self-locking nut M6*	-	-	-	-	AP8152299	2	-




Pos.	Description	Year	I_M_	Country	Version	Code	Q.ty	P.Cod.
1	Headlight support clamp	-	-	-	-	GU32506360	1	BC129
2	Headlight	-	-	EU	-	978311	1	CB109
	Cpl headlightsteering headligh	-	-	UK	-	978662	1	CB109
3	Spacer	-	-	-	-	GU32753410	2	-
4	RH front/LH rear turn indic.	-	-	AUS-EU-J-UK	-	GU32750660	1	CB09*
5	LH front/RH rear turn indic.	-	-	AUS-EU-J-UK	-	GU06751600	1	CB09*
6	Cap nut M6x1	-	-	-	-	GU92787006	2	-
7	Hex socket screw M6X55	-	-	-	-	GU98370655	2	-
8	Washer	-	-	-	-	GU95021206	2	-
9	Lamp 12V-5W	-	-	-	-	GU93450105	1	CB149
10	Lamp 12V-55/60W	-	-	-	-	GU93450232	1	CB149
11	Chromed ring nut	-	-	-	-	GU31740383	1	CB129
12	Gasket	-	-	-	-	GU00823931055	1	-
13	Screw w/ flange M6x16*	-	-	-	-	AP8152278	2	-
14	Turn indicator lens	-	-	AUS-EU-J-UK	-	GU32753760	2	CB01*
15	Lamp, orange 12V-10W	-	-	AUS-EU-J-UK	-	GU93450126	2	-
16	Electric hom H	-	-	-	-	883462	1	CB069
17	Electric hom L	-	-	-	-	883463	1	CB069
18	Clamp	-	-	-	-	GU01744200	6	-
19	Horn mask	-	-	-	-	GU03744760	2	-
20	Clip M6	-	-	-	-	GU28576591	2	-
21	Screw M10x40	-	-	-	-	GU98880540	2	-
22	Hex socket screw M8x30	-	-	-	-	GU98370831	2	-
23	Washer 8,4x14,57x1,6	-	-	-	-	GU95005308	2	-
24	Washer 6,4x12x1,2	-	-	-	-	GU95100141	2	-



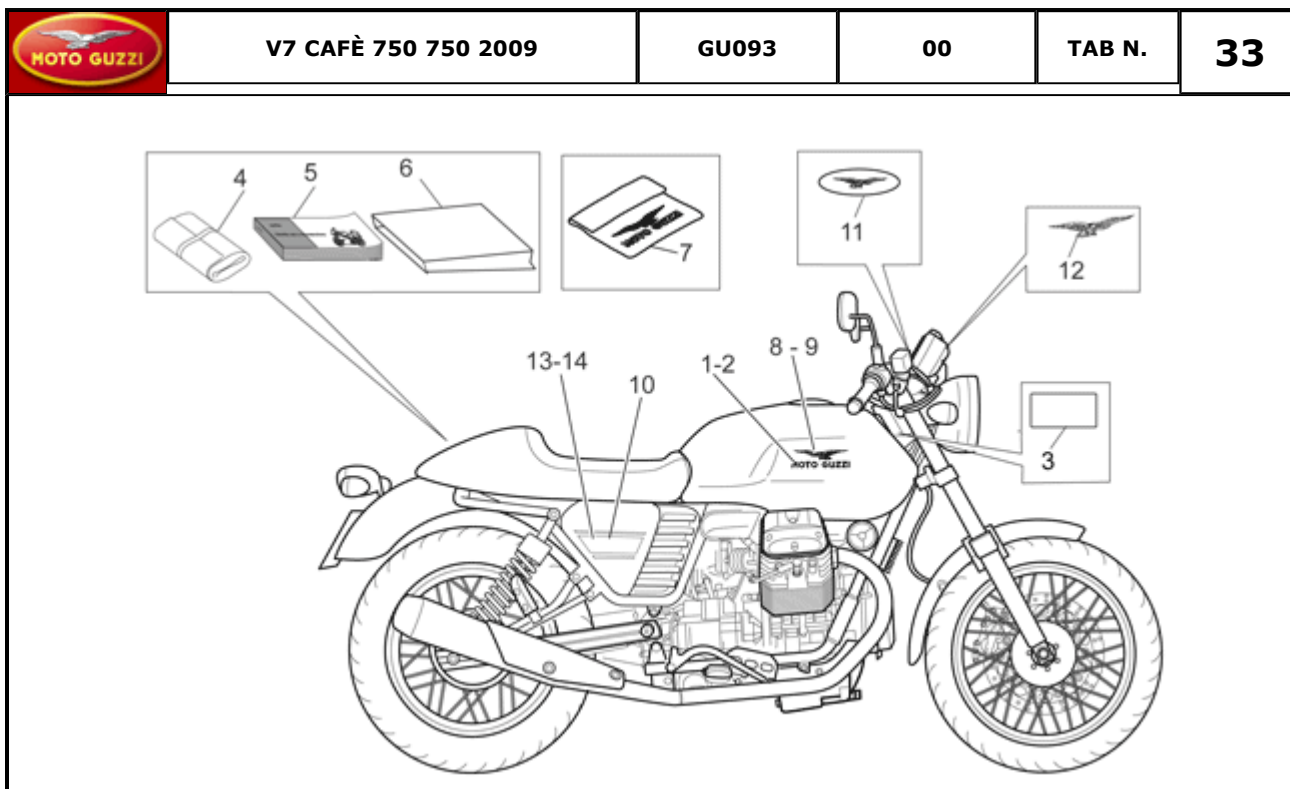
Pos.	Description	Year	I_M_	Country	Version	Code	Q.ty	P.Cod.
1	Taillight assy	-	-	AUS-EU-J-UK	-	9789501	1	CB09*
2	Taillight	-	-	-	-	GU03740930	1	CB09*
3	Lamp 12V/5-21W	-	-	-	-	GU93450224	1	-
4	RH front/LH rear turn indic.	-	-	AUS-EU-J-UK	-	GU32750660	1	CB09*
5	LH front/RH rear turn indic.	-	-	AUS-EU-J-UK	-	GU06751600	1	CB09*
6	Turn indicator lens	-	-	AUS-EU-J-UK	-	GU32753760	2	CB01*
7	Lamp, orange 12V-10W	-	-	AUS-EU-J-UK	-	GU93450126	2	-
8	Spacer	-	-	-	-	GU32753410	2	-
9	Hex socket screw M6X55	-	-	-	-	GU98370655	2	-
10	Washer	-	-	-	-	GU95021206	2	-
11	Cap nut M6x1	-	-	-	-	GU92787006	2	-
12	Hex socket screw M5x20	-	-	-	-	GU98350215	3	-
13	Nylon washer 5,5X12X1	-	-	-	-	GU30577800	3	-
14	Antivibration bush	-	-	-	-	GU93231605	3	-



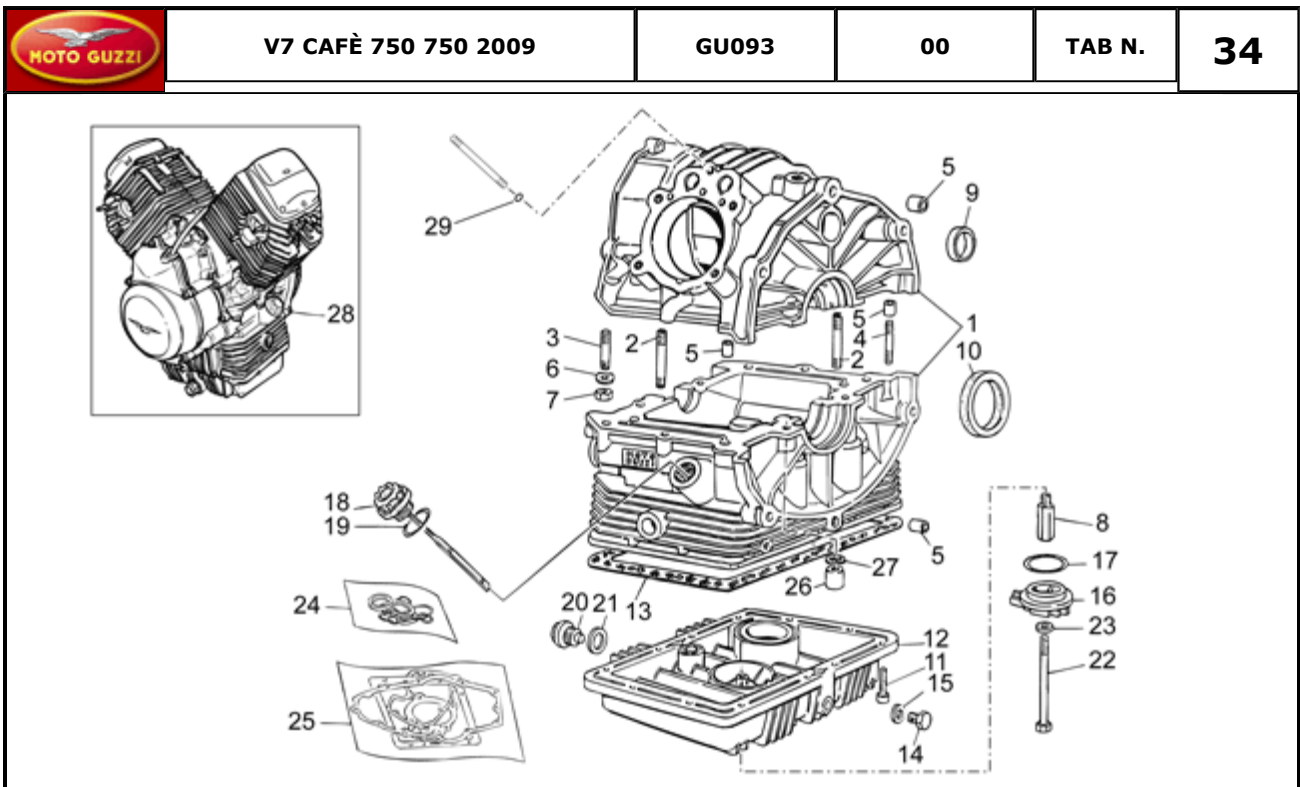
Pos.	Description	Year	I_M	Country	Version	Code	Q.ty	P.Cod.
1	Main wiring harness	-	-	-	-	883077	1	CA009
2	Air temp. Sensor	-	-	-	-	AP8124936	1	AN059
3	HT coil	-	-	-	-	GU30716500	2	AM019
4	Hex socket screw M4X25	-	-	-	-	GU98682125	4	-
5	Washer 4,3x8x0,5	-	-	-	-	GU95008204	4	-
6	HT cable	-	-	-	-	GU17718350	2	CA38E
7	Cap	-	-	-	-	GU14717600	2	-
8	Sparkplug cap	-	-	-	-	GU03717450	2	AM02*
9	Spark plug NGK BR8ES	-	-	-	-	GU31717061	2	AM03*
10	Cable-guide	-	-	-	-	AP8120708	6	-
11	Diode	-	-	-	-	AP8212588	1	CD199
12	Oil-neutral gear harness	-	-	-	-	GU32724510	1	CA319
13	Phase/revolution sensor	-	-	-	-	GU01721600	1	AN049
14	Hex socket screw M5x12	-	-	-	-	GU98682212	2	-
15	Washer 5,3x10x0,8	-	-	-	-	GU95008205	2	-
16	O-ring	-	-	-	-	GU90706141	1	-
17	Hose clamp 2,4x92	-	-	-	-	GU49609601	1	-
	Hose clamp 3,6x20,6	-	-	-	-	GU14609650	31	-

		V7 CAFÈ 750 750 2009	GU093	00	TAB N.	31		
ELECTRICAL SYSTEM II								
Pos.	Description	Year	I_M_	Country	Version	Code	Q.ty	P.Cod.
1	Main wiring harness	-	-	-	-	883077	1	CA009
2	Oil temperature sensor	-	-	-	-	GU29729461	1	AN099
3	Sensor support	-	-	-	-	GU03163330	1	-
4	Washer 10,2x18x2	-	-	-	-	GU95004210	1	-
5	Battery 12V-12Ah	-	-	-	-	640201	1	CC009
6	Clamp	-	-	-	-	GU32418210	1	-
7	Gasket	-	-	-	-	AP8144538	1	-
8	Phillips screw, SWP M5X20	-	-	-	-	AP8152329	2	-
9	Decal "Battery service"	-	-	-	-	GU32517710	1	-
10	Ground-battery lead	-	-	-	-	GU32747910	1	CA039
11	Wiring	-	-	-	-	883191	1	CA079
12	Fuse block support	-	-	-	-	883161	1	-
13	Hex socket screw M5x12	-	-	-	-	GU98682212	2	-
14	Washer 5,25x14x1,5	-	-	-	-	GU95100059	2	-
15	Clip M5	-	-	-	-	AP8102375	2	-
16	Fuse 15A	-	-	-	-	GU28742560	3	CA349
17	Fuse 3A	-	-	-	-	AP8127346	1	CA349
18	Fuse 30A	-	-	-	-	GU28742562	2	CA349
19	ECU	-	-	-	-	977308	1	AM049
20	Phillips screw, SWP M5X20	-	-	-	-	AP8152329	4	-
21	Washer	-	-	-	-	GU95129101	1	-
22	Speedometer sensor cpl.	-	-	-	-	AP8124528	1	CA209
23	Screw w/ flange M6x12*	-	-	-	-	AP8152277	2	-
24	Inclination sensor	-	-	-	-	AP8124266	1	CA369
25	Rubber sensor support	-	-	-	-	AP8144046	1	-
26	Relay	-	-	-	-	GU29732550	1	CD029
27	Relay rubber	-	-	-	-	AP8220546	2	-
28	Injection relay	-	-	-	-	AP8124869	2	CD189
29	Rubber spacer *	-	-	-	-	AP8220283	2	-
30	Relay 12V/30A	-	-	-	-	AP8224462	1	CD189
31	Air temp. Sensor	-	-	-	-	GU30729330	1	AN059
32	Gasket	-	-	-	-	GU30027931	1	-
33	Self-tap screw 2,9x12	-	-	-	-	AP8150421	2	-
34	Hose clamp 2,4x92	-	-	-	-	GU49609601	1	-
	Hose clamp 3,6x20,6	-	-	-	-	GU14609650	31	-


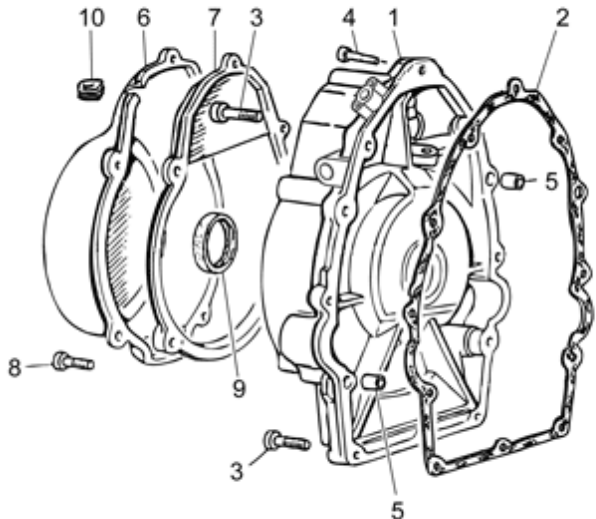
MOTO GUZZI		V7 CAFÈ 750 750 2009	GU093	00	TAB N.	32		
LOCK HARDWARE KIT								
Pos.	Description	Year	I_M_	Country	Version	Code	Q.ty	P.Cod.
1	Lock hardware kit	-	-	AUS-EU-J-UK	-	883182	1	DH009
2	Main switch - steering lock	-	-	-	-	GU32782510	1	DH029
3	Tank cap	-	-	AUS-EU-J-UK	-	883185	1	DA029
4	Saddle lock	-	-	-	-	977527	1	DH039
5	Non indent.key blank-shell cr	-	-	-	-	GU32735511	1	DH099
	Non indent.key blank-shell go	-	-	-	-	GU32735510	1	DH099
6	Special screw M8x15	-	-	-	-	AP8150349	1	-
7	Hex socket screw M8X16	-	-	-	-	GU98682416	1	-
8	Fork spring	-	-	-	-	AP8121420	1	-
9	Cable fixing plate	-	-	-	-	978415	1	-

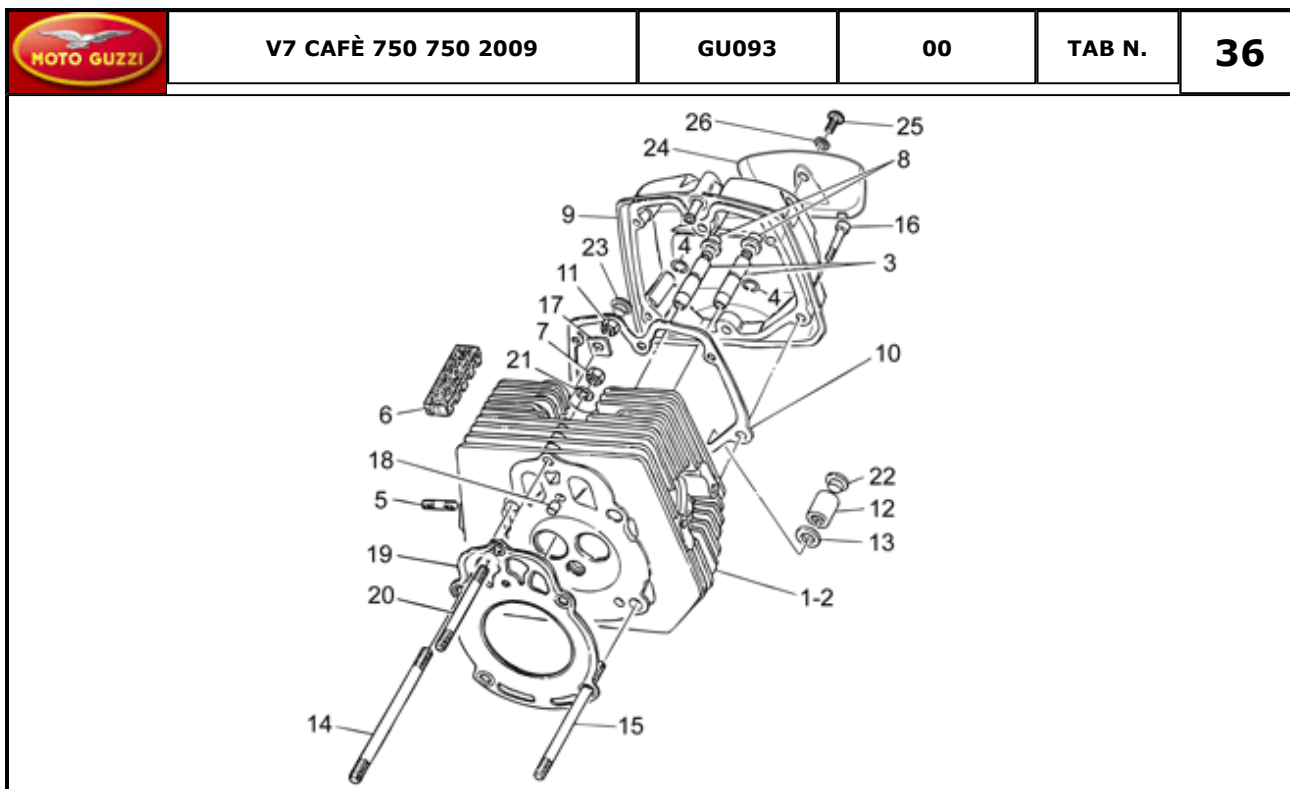


Pos.	Description	Year	I_M	Country	Version	Code	Q.ty	P.Cod.
1	"Moto Guzzi" RH decal	-	-	-	-	d.wh. 883576	1	DI009
	Decal "V7 Cafè Classic"	-	-	-	-	y.so. 883572	2	DI009
2	"Moto Guzzi" LH decal	-	-	-	-	d.wh. 883577	1	DI009
3	Guard decal	-	-	-	-	GU32944310	2	DI119
4	Toolkit	-	-	-	-	GU32909960	2	DG099
5	Op's handbook I-D-F-E-UK-NL I-F-D-NL-E-UK	-	-	AUS-EU-J-UK	-	883584	1	DG109
6	Bag for document	-	-	-	-	GU05900130	1	-
7	Bike cover	-	-	-	-	GU30970200	1	-
8	Sticker RH "Aquila"	-	-	-	-	d.wh. 883624	1	DI079
	Sticker RH "Aquila"	-	-	-	-	y.so. 883573	1	DI079
9	Sticker LH "Aquila"	-	-	-	-	y.so. 883574	1	DI079
	Sticker LH "Aquila"	-	-	-	-	d.wh. 883625	1	DI079
10	Decal "V7 Cafè Classic"	-	-	-	-	883572	2	DI009
11	"Aquila" decal	-	-	-	-	883598	2	DI079
12	"Aquila" decal	-	-	-	-	978551	2	DI079
13	Sticker RH	-	-	-	-	d.wh. 883578	1	DI079
14	Sticker RH	-	-	-	-	d.wh. 883579	1	DI079

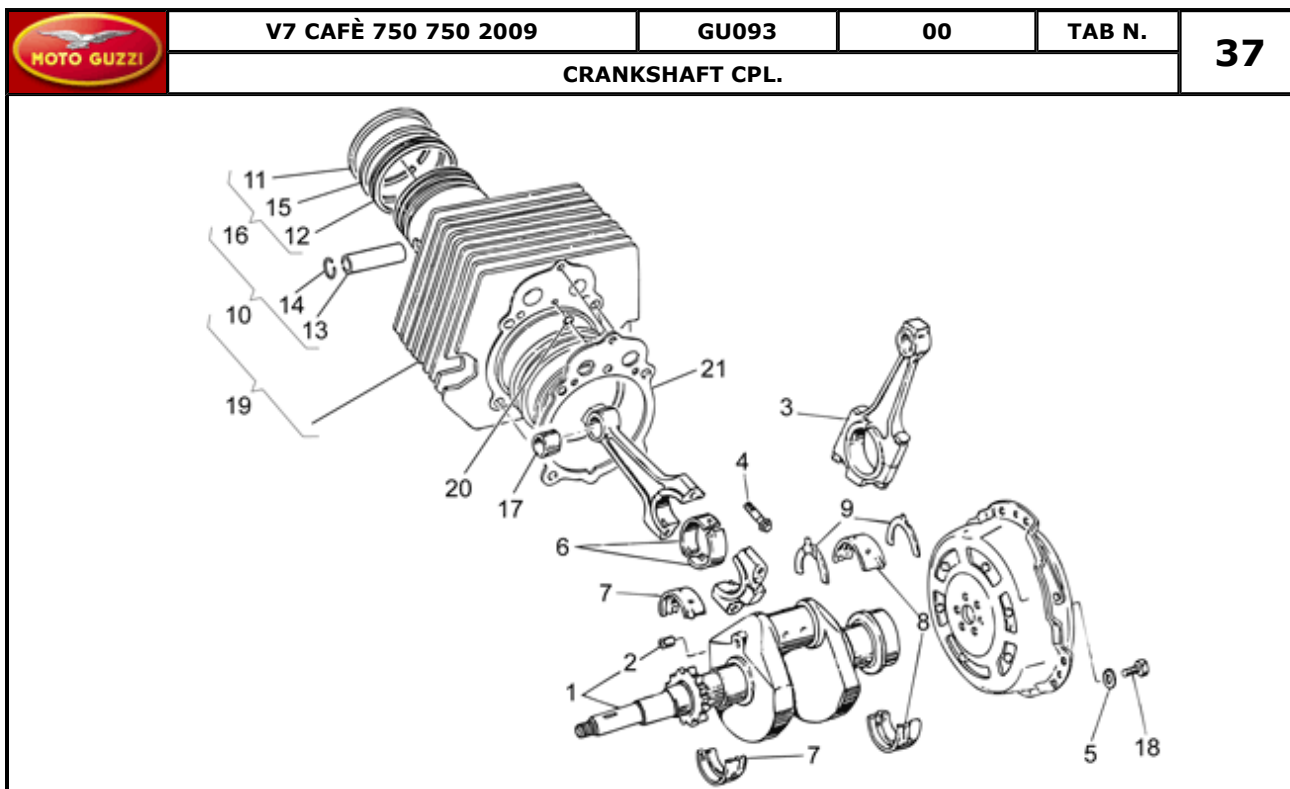


Pos.	Description	Year	I_M	Country	Version	Code	Q.ty	P.Cod.
1	Crankcase black	-	-	-	-	976600	1	AH009
2	Stud bolt	-	-	-	-	GU96451560	4	AH199
3	Stud bolt	-	-	-	-	GU96451430	4	AH199
4	Stud bolt	-	-	-	-	GU96508055	2	AH199
5	Bush	-	-	-	-	GU19015020	4	-
6	Spring washer 8x15x0,3	-	-	-	-	GU61270300	6	-
7	Nut M8x1,25	-	-	-	-	GU92606208	6	-
8	Union	-	-	-	-	GU19003800	1	-
9	Plug	-	-	-	-	GU19016320	1	-
10	Gasket ring	-	-	-	-	GU04000500	1	AO15F
11	Hex socket screw M6x25	-	-	-	-	GU98682325	12	-
12	Oil sump black	-	-	-	-	976604	1	AH269
13	Gasket	-	-	-	-	GU19003602	1	AO329
14	Oil unload plug M10X1	-	-	-	-	GU31003766	1	AH109
15	Gasket	-	-	-	-	GU10528900	1	-
16	Plug	-	-	-	-	976685	1	-
17	O-ring	-	-	-	-	GU90706444	1	-
18	Oil load plug	-	-	-	-	GU27004985	1	AH119
19	O-ring 28,24x2,62	-	-	-	-	GU90706281	1	-
20	Oil unload plug	-	-	-	-	GU12003702	1	AH109
21	Gasket 20,1x28x2	-	-	-	-	GU95100709	1	-
22	Bolt	-	-	-	-	GU27152885	1	-
23	Gasket 8,25x15x1	-	-	-	-	GU12154200	1	-
24	Oil seals - set	-	-	-	-	GU32999510	1	AO***
25	Gasket set	-	-	-	-	GU32999010	1	AO***
26	Column nut	-	-	-	-	GU13021900	4	-
27	Washer 10,5X18X0,8	-	-	-	-	GU95129180	4	-
28	Engine assy w/hout transm.	-	-	-	-	976939	1	A9989
29	O-ring	-	-	-	-	GU90706076	2	-

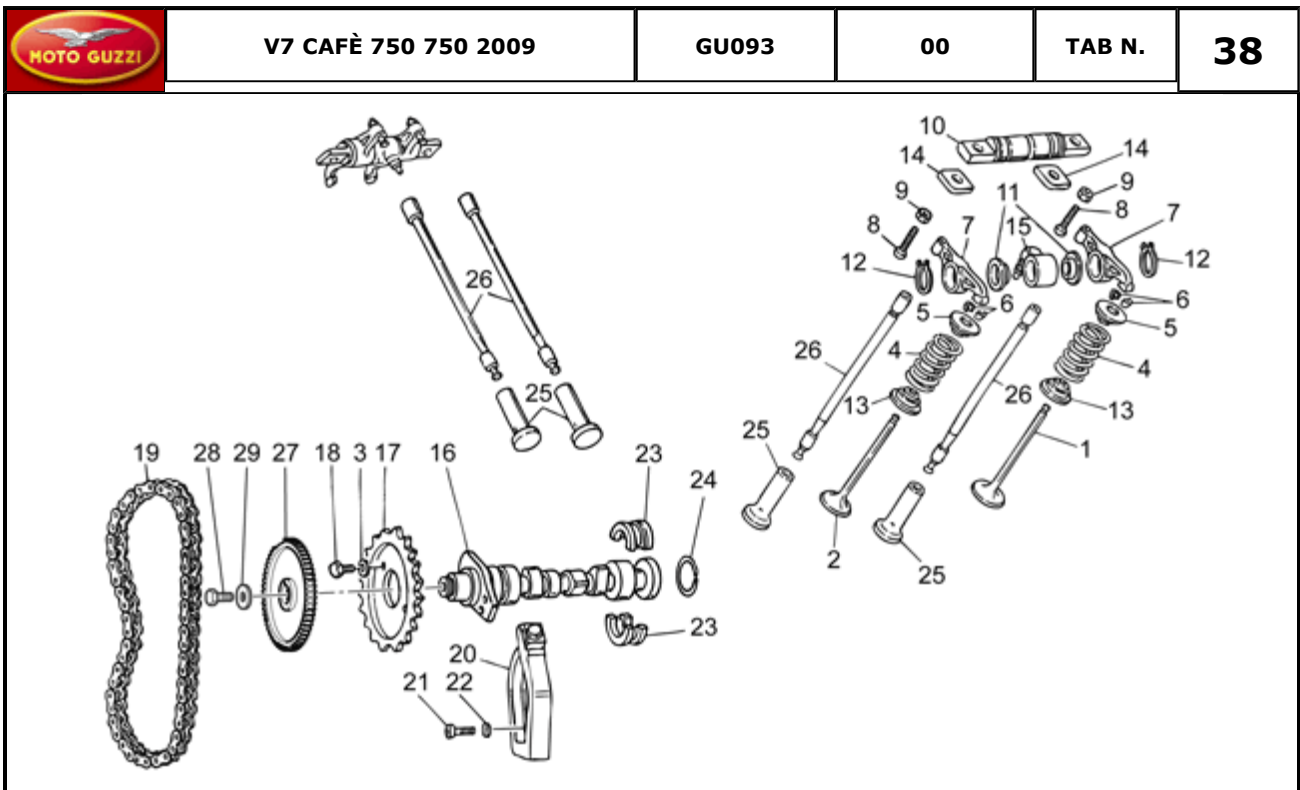
		V7 CAFÈ 750 750 2009	GU093	00	TAB N.	35		
								
Pos.	Description	Year	I_M_	Country	Version	Code	Q.ty	P.Cod.
1	Timing cover black	-	-	-	-	976603	1	AH359
2	Gasket	-	-	-	-	GU19001200	1	AO449
3	Hex socket screw M6x25	-	-	-	-	GU98682325	10	-
4	Hex socket screw M6x30	-	-	-	-	GU98680330	2	-
5	Bush 6,6x9x13	-	-	-	-	GU19002020	2	-
6	Cover	-	-	-	-	GU32001610	1	AH039
7	Flange	-	-	-	-	GU27001136	1	AH319
8	Hex socket screw M6x35	-	-	-	-	GU98680335	5	-
9	Gasket ring	-	-	-	-	GU90402842	1	AO15E
10	Rubber spacer	-	-	-	-	GU19007700	1	-



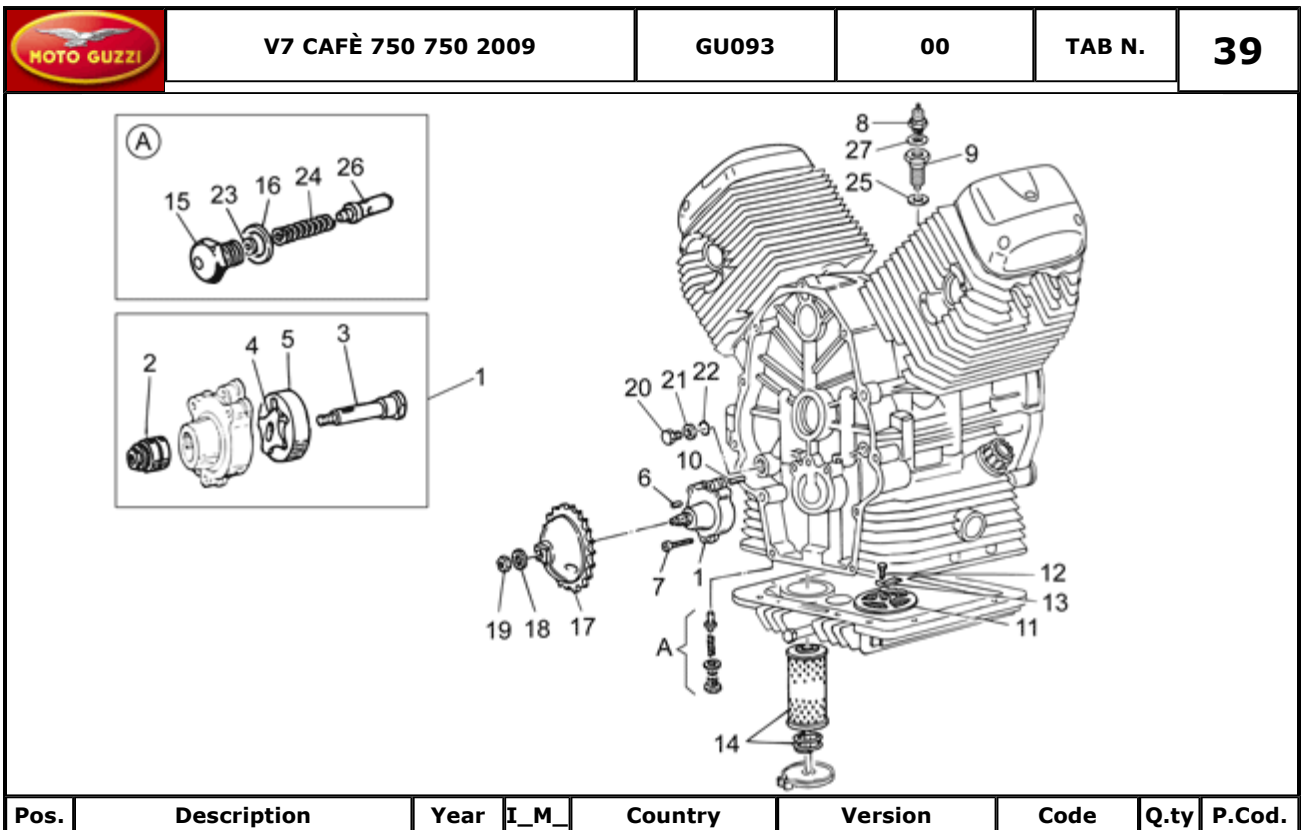
Pos.	Description	Year	I_M_	Country	Version	Code	Q.ty	P.Cod.
1	RH cylinder head grey	-	-	-	-	GU32022110	1	AA00A
2	LH cylinder head grey	-	-	-	-	GU32022210	1	AA00B
3	Valve guide	-	-	-	-	GU61036801	4	AA14*
4	Snap ring	-	-	-	-	GU90353009	4	-
5	Stud bolt	-	-	-	-	GU96506042	4	AA15*
6	Anti-vibration plate	-	-	-	-	GU19025300	4	-
7	Nut	-	-	-	-	GU19021920	2	-
8	Oil seal	-	-	-	-	GU19037820	4	-
9	Head cover	-	-	-	-	GU32023660	2	AH07*
10	Gasket	-	-	-	-	GU19023700	2	AO14*
11	Nut M10X1,5	-	-	-	-	GU92603010	4	-
12	Column nut	-	-	-	-	GU13021900	4	-
13	Washer 10,5X18X0,8	-	-	-	-	GU95129180	4	-
14	Stud bolt M10x214	-	-	-	-	GU96510214	4	AB04*
15	Stud bolt M10x182	-	-	-	-	GU96510181	4	AB04*
16	Hex socket screw M6x25	-	-	-	-	GU98692325	10	-
17	Spacer	-	-	-	-	GU19032980	4	-
18	Bush	-	-	-	-	GU19021360	2	-
19	Gasket	-	-	-	-	GU27022060	2	AO00*
20	Stud bolt M8x143	-	-	-	-	GU96508145	2	AB04*
21	Spring washer 8x15x0,3	-	-	-	-	GU61270300	2	-
22	Plug	-	-	-	-	GU93180245	4	-
23	Rubber exhaust	-	-	-	-	AP8144071	1	-
24	Head cover	-	-	-	-	GU32023410	2	AH07*
25	Screw w/ flange M5x9	-	-	-	-	AP8152339	2	-
26	Washer 8,4X13X0,8	-	-	-	-	GU14615901	2	-




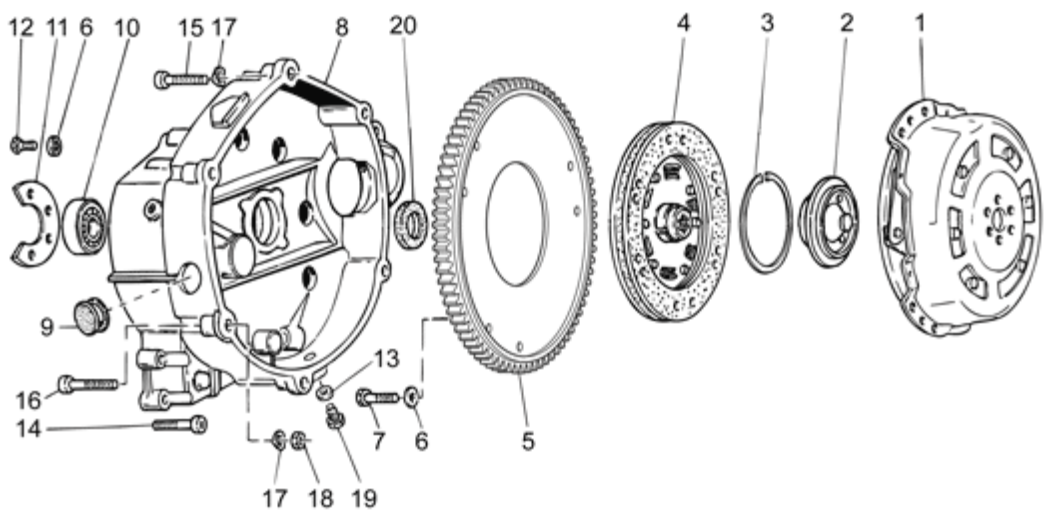
Pos.	Description	Year	I_M_	Country	Version	Code	Q.ty	P.Cod.
1	Crankshaft cpl.	-	-	-	-	GU32064110	1	AD009
2	Plug	-	-	-	-	GU19065400	1	-
3	Connecting rod cpl.	-	-	-	-	GU27061585	2	AD01*
4	Screw	-	-	-	-	GU19062261	4	-
5	Washer 8,4X13X0,8	-	-	-	-	GU14615901	6	-
6	Bearing half-shell	-	-	-	-	GU27062060	4	AI109
7	Front main half-bearing	-	-	-	-	GU27065660	2	AI109
8	Rear main half-bearing	-	-	-	-	GU27066560	2	AI109
9	Half-clamp	-	-	-	-	GU27066460	2	-
10	Piston assy	-	-	-	-	GU32060210	2	AB01*
11	Slot piston ring	-	-	-	-	GU32060710	2	AB02*
12	Scraper ring	-	-	-	-	GU19061063	2	AB02*
13	Piston pin	-	-	-	-	GU27061286	2	AD02*
14	Stop ring	-	-	-	-	GU27061385	4	AD03*
15	Slot piston ring	-	-	-	-	GU27060860	2	AB02*
16	Pistonring set	-	-	-	-	GU32060610	2	AB02*
17	Bush	-	-	-	-	GU27061885	2	AI01*
18	Screw	-	-	-	-	GU19067700	6	-
19	Cylinder with piston, grey	-	-	-	-	GU32060110	2	AB00*
20	O-ring	-	-	-	-	GU61027200	2	-
21	Gasket	-	-	-	-	GU27020820	2	AO01*

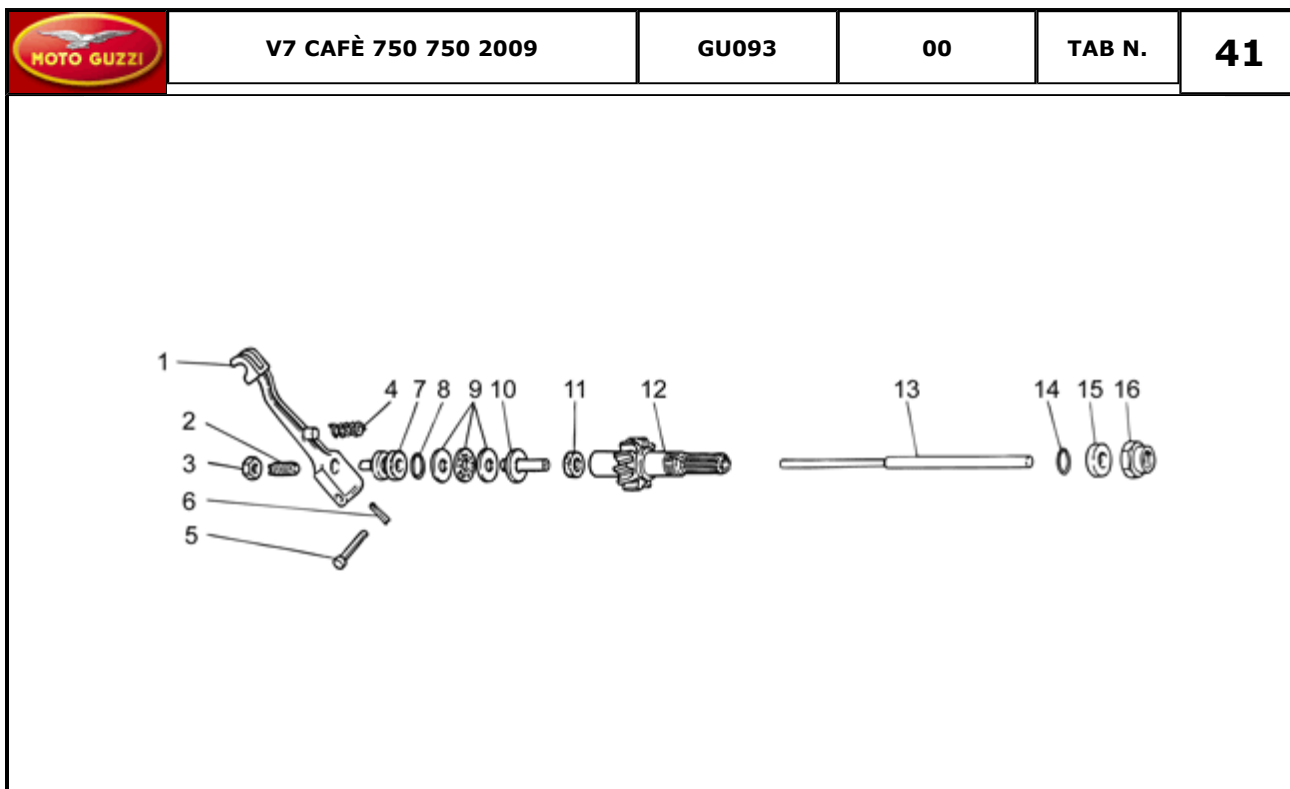


Pos.	Description	Year	I_M	Country	Version	Code	Q.ty	P.Cod.
1	Intake valve	-	-	-	-	GU20036020	2	AA01*
2	Exhaust valve	-	-	-	-	GU20036120	2	AA01*
3	Safety washer	-	-	-	-	GU23217800	2	-
4	Spring	-	-	-	-	GU27037521	4	AA02*
5	Upper cup	-	-	-	-	GU31038015	4	AA129
6	Half-cone	-	-	-	-	GU61038100	8	AA03*
7	Rocker arm assy.	-	-	-	-	GU19030500	4	AC08*
8	Screw	-	-	-	-	GU19034000	4	AC099
9	Nut M6x1	-	-	-	-	GU92602406	4	AC109
10	Rocker shaft	-	-	-	-	GU19032080	2	AC38*
11	Thrust washer	-	-	-	-	GU32032310	4	-
12	Circlip	-	-	-	-	GU90271018	4	-
13	Lower cup	-	-	-	-	GU31037015	4	AA129
14	Spacer	-	-	-	-	GU19032980	4	-
15	Hose	-	-	-	-	GU19027500	2	-
16	Camshaft	-	-	-	-	GU32053410	1	AC059
17	Timing system gear	-	-	-	-	GU32054510	1	AC139
18	Bolt	-	-	-	-	GU61054900	2	-
19	Camshaft chain	-	-	-	-	GU19058021	1	AC149
20	Chain stretching drive	-	-	-	-	GU19058220	1	AC189
21	Screw	-	-	-	-	GU98882316	1	-
22	Washer	-	-	-	-	GU95129115	1	-
23	Sector	-	-	-	-	GU19055700	2	AI309
24	Snap ring	-	-	-	-	GU90353029	1	-
25	Tappet	-	-	-	-	GU19045861	4	AC309
26	Rocker arm rod	-	-	-	-	GU31045015	4	AC319
27	Wheel speed sensor, left front	-	-	-	-	GU32051710	1	AC379
28	Screw M8X22	-	-	-	-	GU98054422	1	-
29	Washer	-	-	-	-	GU95100244	1	-

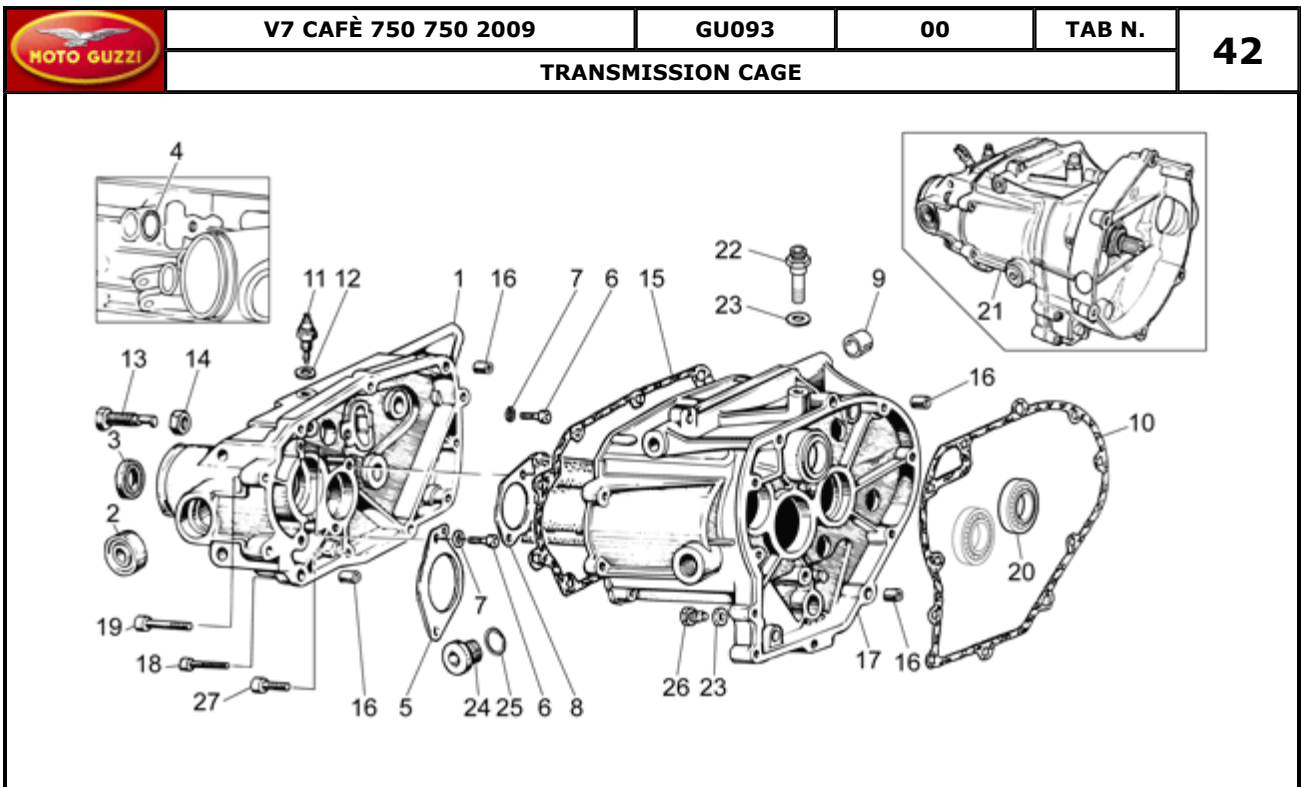


Pos.	Description	Year	I_M_	Country	Version	Code	Q.ty	P.Cod.
1	Oil pump	-	-	-	-	GU19146422	1	AJ059
2	Roller bearing 10x22x20	-	-	-	-	GU92252210	1	AI319
3	Oil pump shaft assy.	-	-	-	-	GU20147810	1	AJ249
4	Inner rotor	-	-	-	-	GU20148410	1	AJ159
5	Outer rotor	-	-	-	-	GU20148610	1	AJ159
6	Roller	-	-	-	-	GU92296723	1	-
7	Screw M6X35	-	-	-	-	GU98620335	3	-
8	Pressure sensor	-	-	-	-	GU32768710	1	AN039
9	Union	-	-	-	-	GU32768810	1	-
10	Pin	-	-	-	-	GU19018920	2	-
11	Oil filter	-	-	-	-	GU19152200	1	AO239
12	Hex screw M6X14	-	-	-	-	GU98084314	1	-
13	Plate	-	-	-	-	GU95187006	1	-
14	Oil filter	-	-	-	-	GU27153085	1	AO229
15	Plug	-	-	-	-	GU31159050	1	-
16	Washer 18,25x24x1	-	-	-	-	GU18144350	3	-
17	Pump gear	-	-	-	-	GU20147710	1	AJ079
18	Washer 10,5x16x1	-	-	-	-	GU19149800	1	-
19	Nut M10x1,25	-	-	-	-	GU92602510	1	-
20	Plug	-	-	-	-	GU31016050	1	-
21	Gasket 14,25	-	-	-	-	GU18161150	1	-
22	O-ring	-	-	-	-	GU90706111	1	-
23	Washer 6,15x11x0,8	-	-	-	-	GU95008206	3	-
24	Spring	-	-	-	-	GU94321079	1	-
25	Gasket	-	-	-	-	GU95100602	1	-
26	Piston	-	-	-	-	GU31150950	1	-
27	Washer	-	-	-	-	GU95100309	1	-

		V7 CAFÈ 750 750 2009	GU093	00	TAB N.	40		
CLUTCH I								
								
Pos.	Description	Year	I_M_	Country	Version	Code	Q.ty	P.Cod.
1	Clutch	-	-	-	-	GU32080310	1	AF219
2	New cup type	-	-	-	-	GU19083462	1	AF329
3	Snap ring	-	-	-	-	GU90272075	1	-
4	Driven clutch disc	-	-	-	-	GU32084410	1	AF209
5	Chain ring	-	-	-	-	GU32067910	1	AK019
6	Washer 6,4x10x0,7	-	-	-	-	GU14217901	9	-
7	Hex screw M6X16	-	-	-	-	GU98084316	6	-
8	Clutch drum	-	-	-	-	981070	1	AH049
9	Plug	-	-	-	-	GU93180220	1	-
10	Bearing 25x52x15	-	-	-	-	GU92201225	1	-
11	Bearing fixing plate	-	-	-	-	GU19203460	1	-
12	Hex screw M6X14	-	-	-	-	GU98084314	3	-
13	Gasket	-	-	-	-	GU10528900	1	-
14	Hex socket screw M6X30	-	-	-	-	GU98682330	11	-
15	Hex socket screw M8x35	-	-	-	-	GU98680435	5	-
16	Hex socket screw M8x50	-	-	-	-	GU98680450	1	-
17	Spring washer 8x15x0,3	-	-	-	-	GU61270300	6	-
18	Nut M8x1,25	-	-	-	-	GU92606208	1	-
19	Oil unload plug M10X1	-	-	-	-	GU31003766	1	AH109
20	Gasket ring 32x45x7	-	-	-	-	GU90403246	1	-

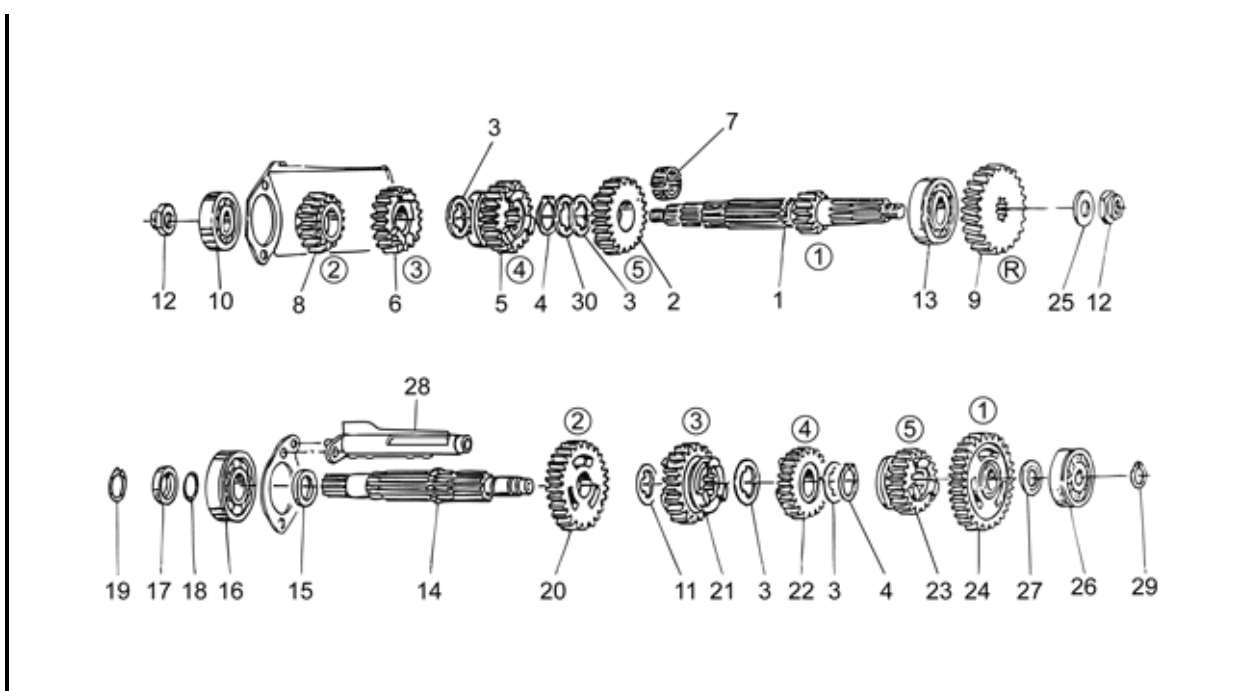


Pos.	Description	Year	I_M_	Country	Version	Code	Q.ty	P.Cod.
1	Clutch release shaft	-	-	-	-	GU14090201	1	AF259
2	Adjuster screw	-	-	-	-	GU14090400	1	AF279
3	Nut m8x1	-	-	-	-	GU92606508	1	-
4	Lever return spring	-	-	-	-	GU94321105	1	AF279
5	Pin 7x39	-	-	-	-	GU95780271	1	-
6	Split pin	-	-	-	-	GU95500222	1	-
7	Outer body	-	-	-	-	GU14086100	1	-
8	O-ring 17,13x2,62	-	-	-	-	GU90706170	1	-
9	Thrust bearing	-	-	-	-	GU12087001	1	AI169
10	Inner body	-	-	-	-	GU14086000	1	-
11	Gasket ring 6x16x7	-	-	-	-	GU90400616	1	-
12	Transmission shaft Z=16	-	-	-	-	GU27210760	1	AF399
13	Rod	-	-	-	-	GU20085720	1	AF269
14	O-ring 23,52x1,78	-	-	-	-	GU90706235	1	-
15	Spacer	-	-	-	-	GU19213760	1	-
16	Nut	-	-	-	-	GU19356760	1	-


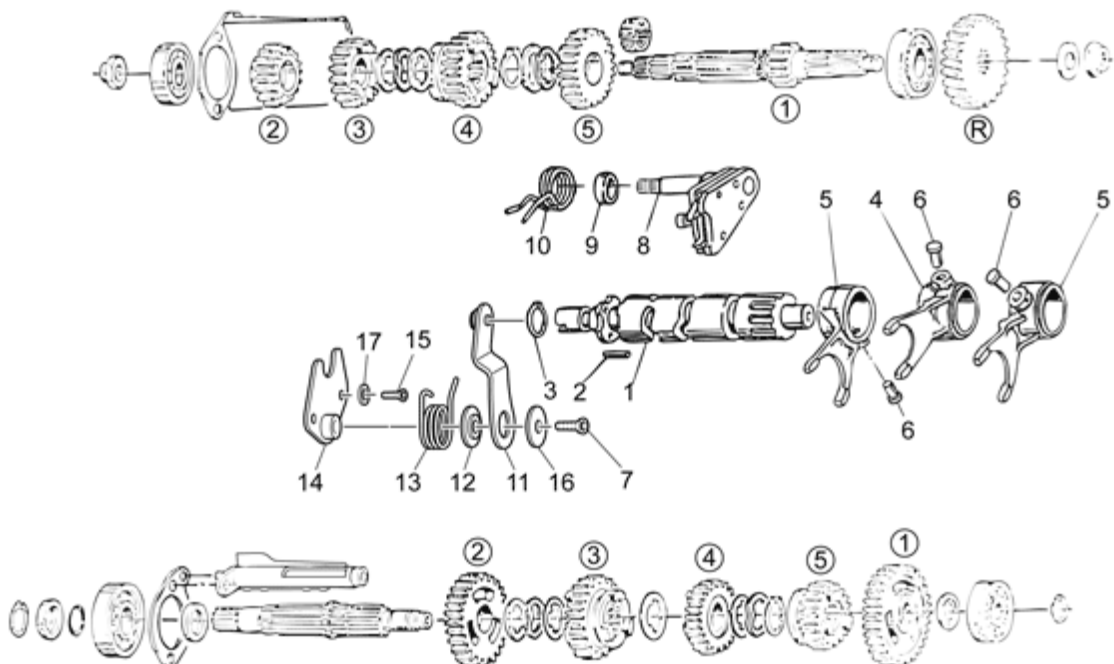


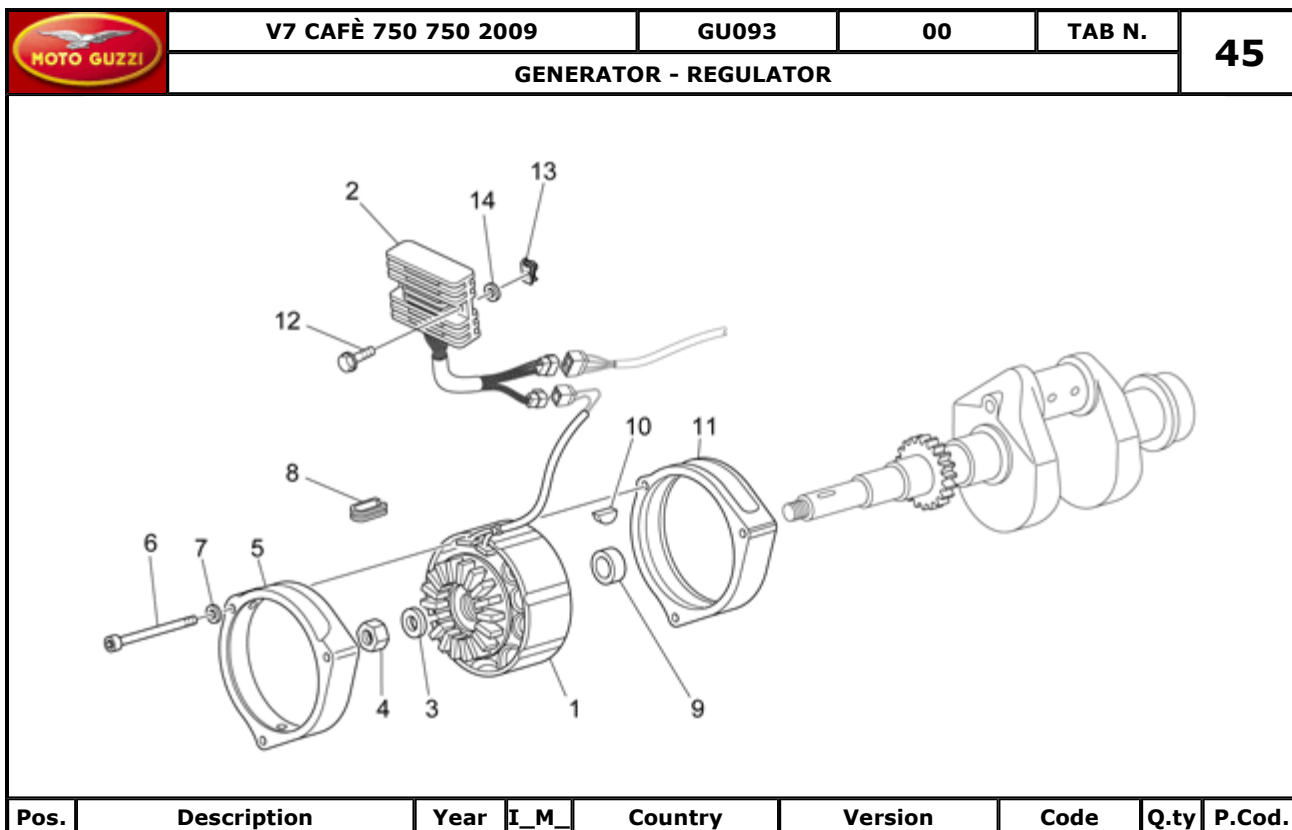
Pos.	Description	Year	I_M_	Country	Version	Code	Q.ty	P.Cod.
1	Gearbox cover	-	-	-	-	976605	1	AH169
2	Bearing 15x35x11	-	-	-	-	GU92204215	2	BE069
3	Gasket ring 28x40x7	-	-	-	-	GU90402841	1	AO169
4	O-ring 13,95x2,92	-	-	-	-	GU90706140	1	-
5	Plate	-	-	-	-	GU32213810	1	-
6	Hex socket screw M6x14	-	-	-	-	GU98682314	4	-
7	Washer 6,4x10x0,7	-	-	-	-	GU14217901	4	-
8	Oil bulhead	-	-	-	-	GU32208210	1	AO249
9	Bush 10,25x15,7x8	-	-	-	-	GU19202320	2	-
10	Gasket	-	-	-	-	GU23200370	1	AO319
11	Sensor	-	-	-	-	GU19207220	1	AN029
12	Gasket 8,25x15x1	-	-	-	-	GU12154200	1	-
13	Screw M12x1,25	-	-	-	-	GU19237800	1	-
14	Low nut M12x1,25	-	-	-	-	GU92606512	1	-
15	Gasket	-	-	-	-	GU19201120	1	AO059
16	Bush 6,6x9x13	-	-	-	-	GU19002020	4	-
17	Gearbox black	-	-	-	-	976606	1	AH299
18	Hex socket screw M6X30	-	-	-	-	GU98682330	5	-
19	Hex socket screw M8x35	-	-	-	-	GU98680435	4	-
20	Ball bearing 20x42x12	-	-	-	-	GU92201120	1	AI229
21	Transmission assy and housing	-	-	-	-	976940	1	AG099
22	Breather plug	-	-	-	-	GU32206510	1	AJ329
23	Gasket	-	-	-	-	GU10528900	2	-
24	Oil plug	-	-	-	-	GU12022600	1	AH119
25	O-ring 20,24X2,62	-	-	-	-	GU90706203	1	-
26	Oil unload plug M10X1	-	-	-	-	GU31003766	1	AH109
27	Hex socket screw M6x35	-	-	-	-	GU98680335	2	-

	V7 CAFÈ 750 750 2009	GU093	00	TAB N.	<b>43</b>
	GEAR BOX				

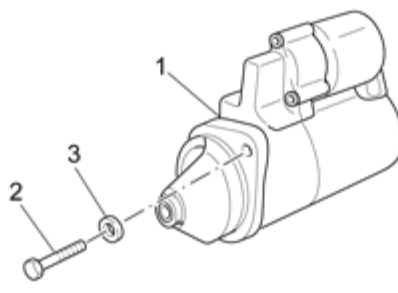


Pos.	Description	Year	I_M_	Country	Version	Code	Q.ty	P.Cod.
1	Primary gear shaft Z=11	-	-	-	-	GU32210510	1	AG00X
2	Gear 5a AP Z=25	-	-	-	-	GU32212011	1	AG045
3	Thrust washer	-	-	-	-	GU19215460	3	-
4	Circlip	-	-	-	-	GU90271124	2	-
5	Gear 4a AP Z=18	-	-	-	-	GU32211810	1	AG044
6	Gear 3a AP Z=18	-	-	-	-	GU32211410	1	AG043
7	Roller cage	-	-	-	-	GU92251028	1	AI119
8	Gear 2a AP Z=14	-	-	-	-	GU23211372	1	AG042
9	Idle gear AP Z=21	-	-	-	-	GU32211110	1	AG019
10	Bearing AP 17x40x17,5	-	-	-	-	GU92218417	1	AI059
11	Clearance washer	-	-	-	-	GU19214660	2	-
12	Nut	-	-	-	-	GU10054100	2	-
13	Bearing AP 20x37x17	-	-	-	-	GU92230320	1	AI059
14	Driven shaft	-	-	-	-	GU32213610	1	AG00Y
15	Spacer	-	-	-	-	GU19212900	1	-
16	Bearing 20X47X14	-	-	-	-	GU92201220	1	AI069
17	Spacer	-	-	-	-	GU19213720	1	-
18	Gasket ring 18,77X1,78	-	-	-	-	GU90706188	1	-
19	Circlip	-	-	-	-	GU90271121	1	-
20	Gear 2a AS Z=23	-	-	-	-	GU32214510	1	AG042
21	Gear 3a AS Z=23	-	-	-	-	GU32214810	1	AG043
22	Gear 4a AS Z=19	-	-	-	-	GU32215010	1	AG044
23	Gear 5a AS Z=22	-	-	-	-	GU32215210	1	AG045
24	Gear 1a AS Z=26	-	-	-	-	GU32214010	1	AG041
25	Clearance washer	-	-	-	-	GU39238100	1	-
26	Bearing	-	-	-	-	GU92234716	1	AI069
27	Spacer 1,7 mm	-	-	-	-	GU10214301	1	-
	Spacer 1,8 mm	-	-	-	-	GU10214302	1	-
	Spacer 1,9 mm	-	-	-	-	GU10214303	1	-
	Washer 2 mm	-	-	-	-	GU10214304	1	-
	Spacer 2,1 mm	-	-	-	-	GU10214305	1	-
	Spacer 1,5 mm	-	-	-	-	GU10214300	1	-
28	Gutter	-	-	-	-	GU32202010	1	AJ239
29	Circlip	-	-	-	-	GU90271117	1	-

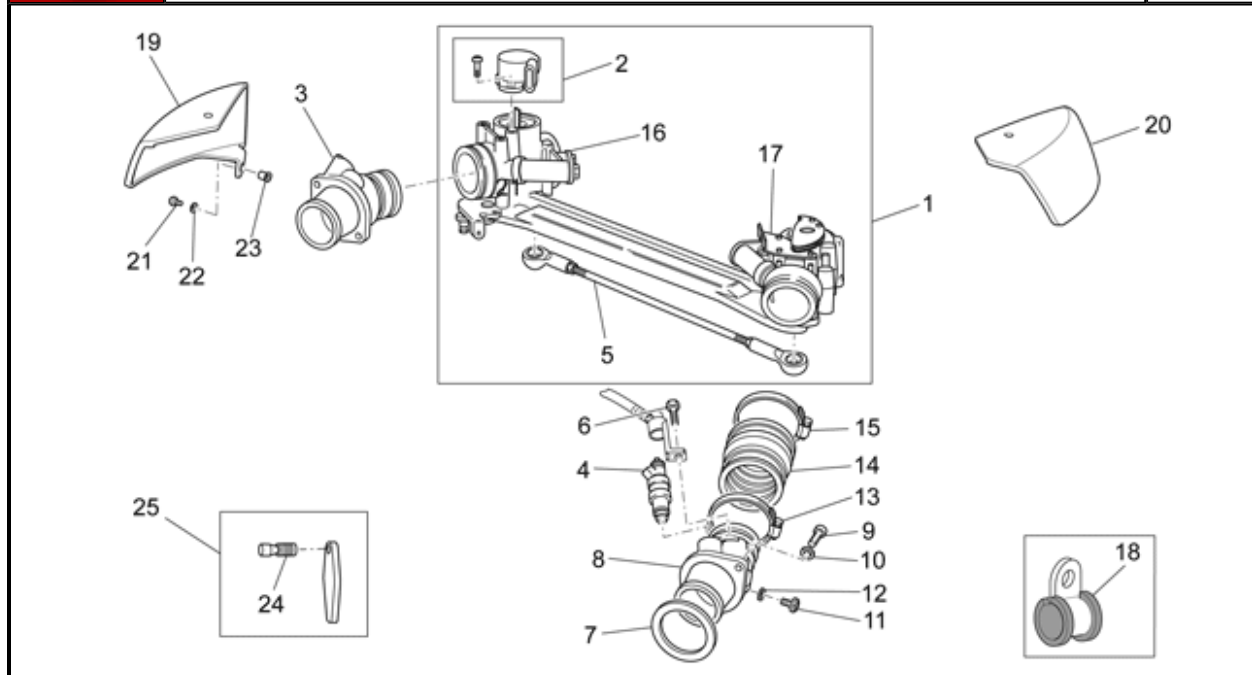
		V7 CAFÈ 750 750 2009	GU093	00	TAB N.	44		
GEAR BOX SELECTOR								
								
Pos.	Description	Year	I_M_	Country	Version	Code	Q.ty	P.Cod.
1	Shift cam	-	-	-	-	GU32234410	1	AG039
2	Pin	-	-	-	-	GU19234600	4	-
3	Snap ring	-	-	-	-	GU90274026	1	-
4	Fork AP	-	-	-	-	GU32231210	1	AG059
5	Fork AS	-	-	-	-	GU32231010	2	AG059
6	Roller	-	-	-	-	GU32233010	3	AG069
7	Hex socket screw M6x12	-	-	-	-	GU98350312	1	-
8	Preselection complete	-	-	-	-	GU32236210	1	AG079
9	Spacer	-	-	-	-	GU20208520	1	-
10	Spring	-	-	-	-	GU32238210	1	AG109
11	Lever	-	-	-	-	GU32234710	1	AG129
12	Washer	-	-	-	-	GU32234810	1	-
13	Spring	-	-	-	-	GU32234110	1	AG139
14	Plate	-	-	-	-	GU32235710	1	AG169
15	Screw M6x16	-	-	-	-	AP8152166	2	-
16	Washer 6,4x20x1	-	-	-	-	GU32234910	1	-
17	Washer 6,4x10x0,7	-	-	-	-	GU14217901	2	-




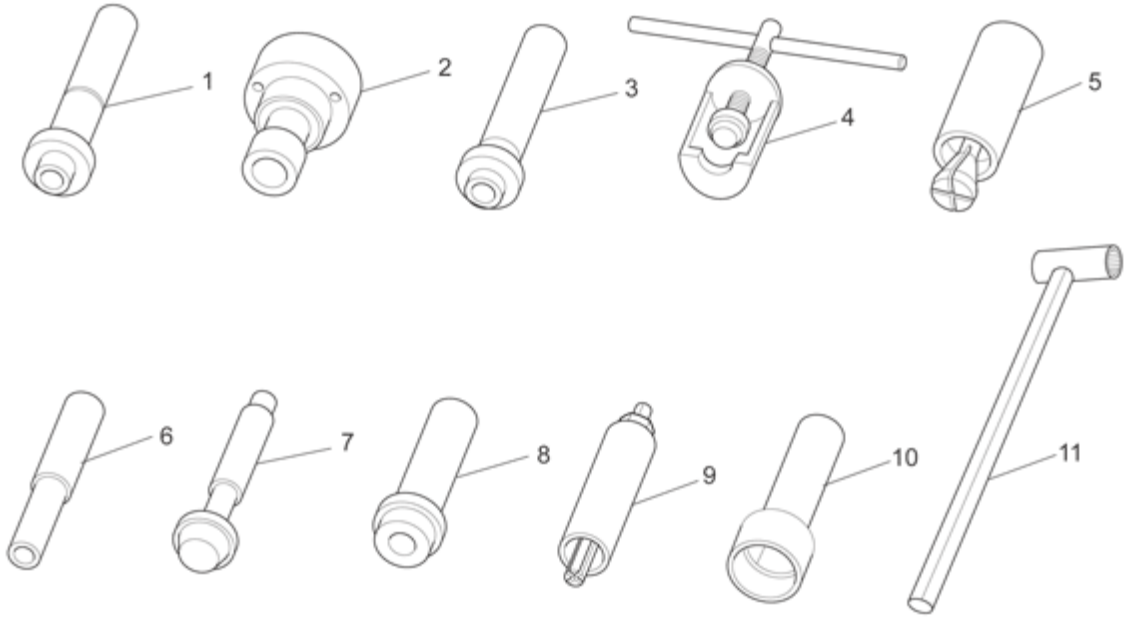
Pos.	Description	Year	I_M_	Country	Version	Code	Q.ty	P.Cod.
1	Ducati generator	-	-	-	-	GU32712411	1	AM129
2	DUCATI regulator	-	-	-	-	GU32703810	1	CC019
3	Washer 16,25x24,5x5	-	-	-	-	GU30714201	1	-
4	Nut M16	-	-	-	-	GU92606516	1	-
5	Front calotte	-	-	-	-	GU29711460	1	AM139
6	Hex socket screw M5x65	-	-	-	-	GU98680265	3	-
7	Washer 5,9X3X0,8	-	-	-	-	GU29217960	3	-
8	Rubber spacer	-	-	-	-	GU19007700	1	-
9	Spacer	-	-	-	-	GU31712365	1	-
10	Transmission key	-	-	-	-	GU91600450	1	AD089
11	Rear cap	-	-	-	-	GU29711960	1	AM139
12	Screw w/ flange M6X30	-	-	-	-	AP8152281	2	-
13	Clip M6	-	-	-	-	GU28576591	2	-
14	Washer	-	-	-	-	GU95100125	2	-


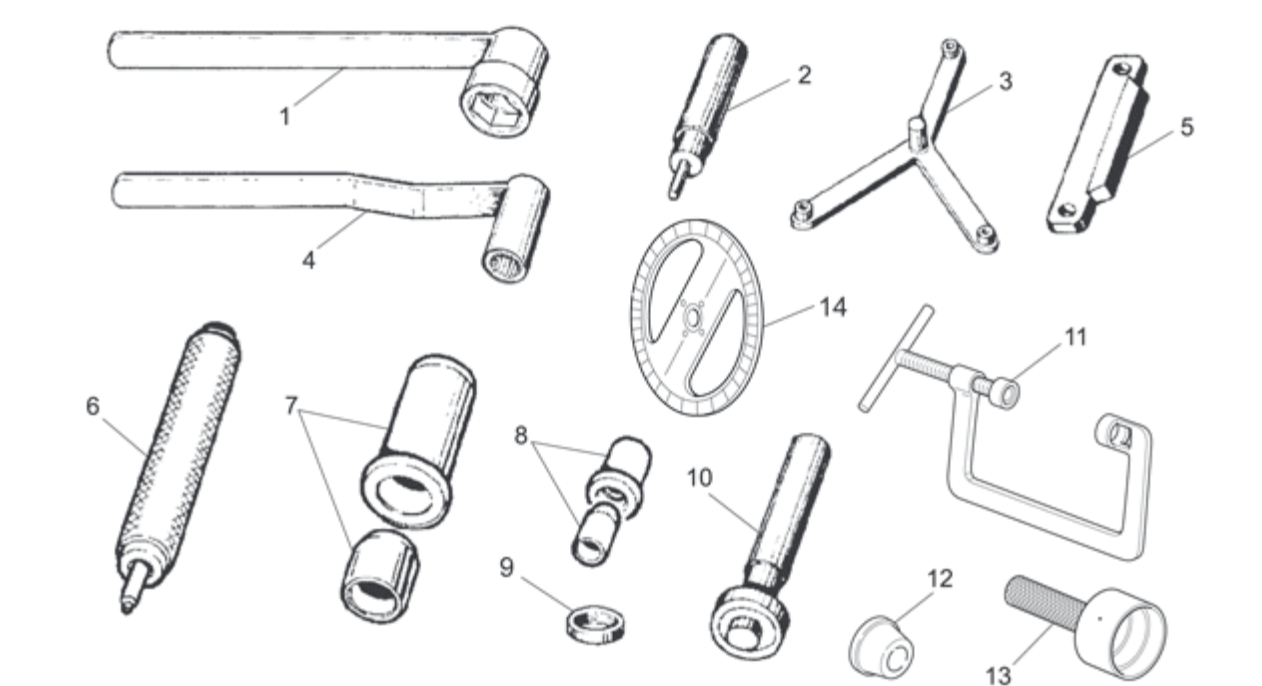
MOTO GUZZI		V7 CAFÈ 750 750 2009	GU093	00	TAB N.	46		
STARTER MOTOR								
								
Pos.	Description	Year	I_M_	Country	Version	Code	Q.ty	P.Cod.
1	Starter motor Bosch	-	-	-	-	GU05730730	1	AK009
2	Hex screw M8x35	-	-	-	-	GU98082435	2	-
3	Washer 8,4X15X1,5	-	-	-	-	GU95008208	2	-


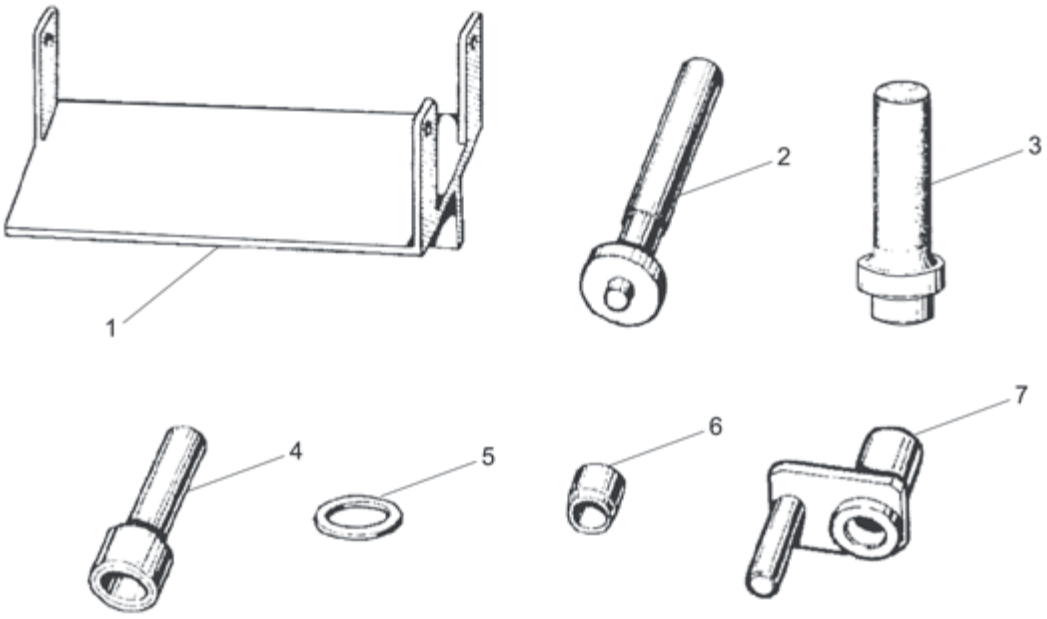
	V7 CAFÈ 750 750 2009	GU093	00	TAB N.	<b>47</b>
	<b>THROTTLE BODY</b>				



Pos.	Description	Year	I_M_	Country	Version	Code	Q.ty	P.Cod.
1	Throttle assy	-	-	-	-	GU32112510	1	EC***
2	Potentiometer	-	-	-	-	GU32530508	1	EC059
3	RH manifold	-	-	-	-	GU32115010	1	AC00*
4	Injector kit complete	-	-	-	-	GU32115710	2	EC129
5	Rod	-	-	-	-	GU32530509	1	-
6	Screw w/ flange M5x16	-	-	-	-	AP8152298	2	-
7	Gasket	-	-	-	-	GU32115510	1	AC00*
8	LH manifold	-	-	-	-	GU32115011	1	AC369
9	Hex socket screw M6x22	-	-	-	-	GU98682322	4	-
10	Washer 6,4x12	-	-	-	-	GU03013800	4	-
11	Screw M6x10	-	-	-	-	GU98310609	2	-
12	Washer 6,25x10x1,5	-	-	-	-	GU95100116	2	-
13	Hose clamp 57x59,5x10	-	-	-	-	GU93305057	2	-
14	Hose	-	-	-	-	GU32114310	2	AC04*
15	Hose clamp 61/65,5	-	-	-	-	GU93305061	2	-
16	Right throttle body	-	-	-	-	GU32112610	1	EC00A
17	Left throttle body	-	-	-	-	GU32112611	1	EC00B
18	Hose clamp	-	-	-	-	GU32718010	2	-
19	RH cover chromium plated	-	-	-	-	978938	1	DC29A
20	LH cover chromium plated	-	-	-	-	978939	1	DC29B
21	Screw M5x14	-	-	-	-	GU98370515	4	-
22	Nylon washer 5,5X12X1	-	-	-	-	GU30577800	4	-
23	Antivibration bush	-	-	-	-	GU93231605	4	-
24	Shear rivet M5x12	-	-	-	25 Kw	GU97270212	1	-
25	Plate kit	-	-	-	25 Kw	GU973221100027	1	-

		V7 CAFÈ 750 750 2009		GU093	00	TAB N.	48	
		SPECIFIC TOOLS I						
								
Pos.	Description	Year	I_M	Country	Version	Code	Q.ty	P.Cod.
1	Punch for pinion oil seal	-	-	-	-	GU19926100	1	-
2	Bevel gear pair preassemb.tool	-	-	-	-	GU19928800	1	-
3	Punch for trans.case oil seal	-	-	-	-	GU19926000	1	-
4	Puller for internal ring	-	-	-	-	GU19907000	1	-
5	Puller for transm.case bearing	-	-	-	-	GU19927500	1	-
6	Punch for bearing on bev.gear	-	-	-	-	GU19926200	1	-
7	Punch for taper bearing	-	-	-	-	GU19926400	1	-
8	Punch for trans.case oil seal	-	-	-	-	GU19926500	1	-
9	Puller for swing arm hold.	-	-	-	-	GU19927600	1	-
10	Punch for driving bearing	-	-	-	-	GU19927900	1	-
11	Gear pair holder tool	-	-	-	-	GU19907100	1	-

		V7 CAFÈ 750 750 2009		GU093	00	TAB N.	49	
		SPECIFIC TOOLS II						
								
Pos.	Description	Year	I_M	Country	Version	Code	Q.ty	P.Cod.
1	Clutch shaft nut holding wrench	-	-	-	-	GU19905460	1	-
2	Punch for clutch shaft bearing	-	-	-	-	GU19905900	1	-
3	Clutch disk assembly tool	-	-	-	-	GU19906500	1	-
4	Clutch shaft holding tool	-	-	-	-	GU19907160	1	-
5	Flywheel holder tool	-	-	-	-	GU19911800	1	-
6	Mounting cap on valve guide	-	-	-	-	GU19926020	1	-
7	fitting oil seal/timing cover	-	-	-	-	GU19927220	1	-
8	Assembling oil seal timing cov.	-	-	-	-	GU19927320	1	-
9	Bush for valve disassemb.tool	-	-	-	-	GU19927800	1	-
10	Punch for clutch shaft bearing	-	-	-	-	GU19929400	1	-
11	Valve removal and fitting	-	-	-	-	GU10907200	1	-
12	Flange flywheel side	-	-	-	-	GU12912000	1	-
13	Seal ring flange flywheel side	-	-	-	-	GU19927100	1	-
14	Index plate tim.sett./ign.cont	-	-	-	-	GU19929600	1	-

		V7 CAFÈ 750 750 2009		GU093	00	TAB N.	50	
		SPECIFIC TOOLS III						
								
Pos.	Description	Year	I_M_	Country	Version	Code	Q.ty	P.Cod.
1	Gearbox housing support	-	-	-	-	GU19902500	1	-
2	Punch for primary shaft bear.	-	-	-	-	GU19926300	1	-
3	Second.shaft bearing ins.tool	-	-	-	-	GU19926460	1	-
4	Punch oil seal on gearbox cov.	-	-	-	-	GU19927200	1	-
5	Spacer for install.of ring	-	-	-	-	GU19927202	1	-
6	fitting oil seal/second. Shaft	-	-	-	-	GU19927300	1	-
7	Intermediate gear holding tool	-	-	-	-	GU19927700	1	-